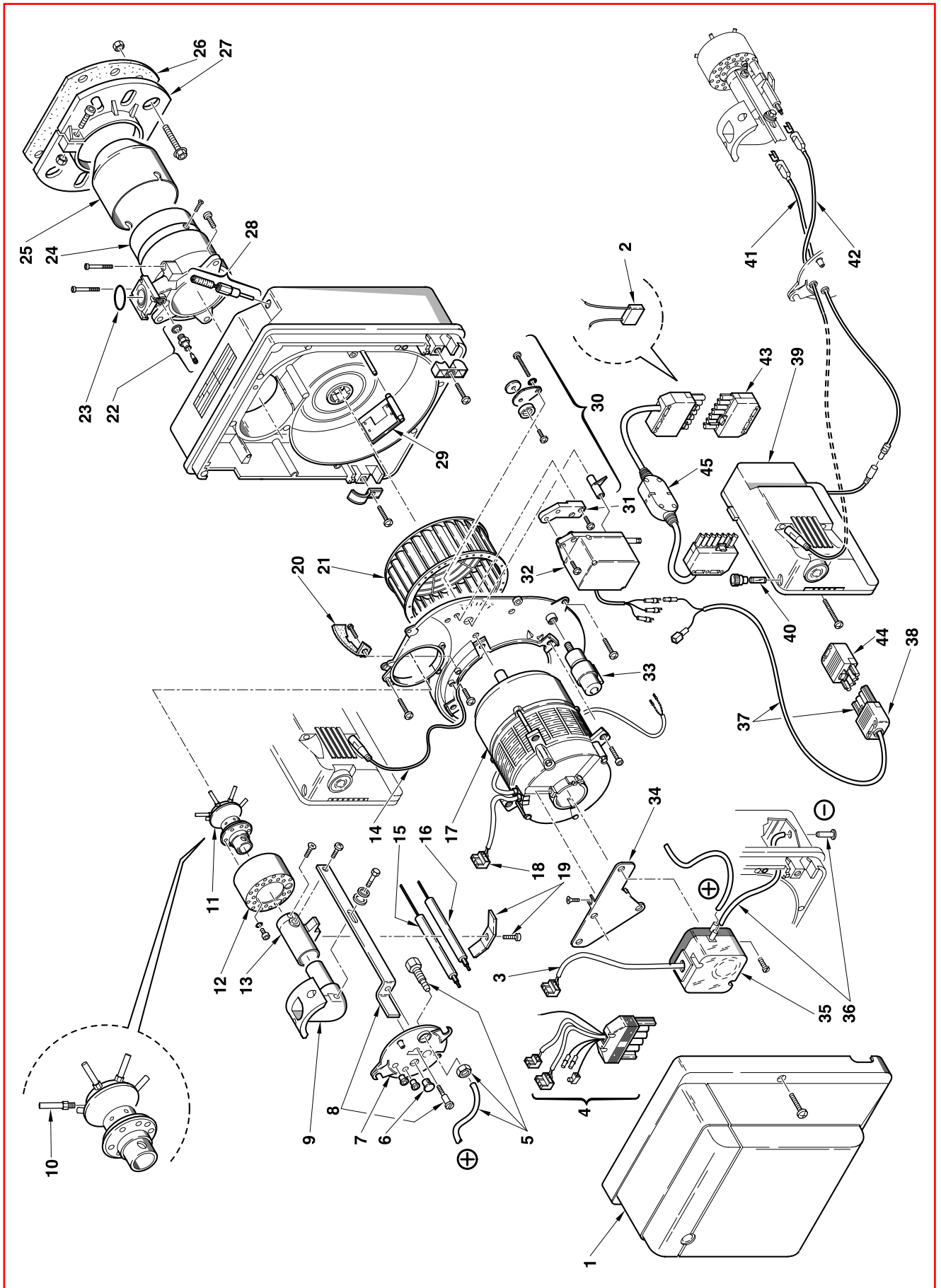


Bruciatori di gas • Gas burners • Brûleurs gaz • Gas-Gebläsebrenner • Gasbranders

Gulliver BS1D COD. 3761511 TIPO/TYPE/TYP 915 T1
BS2D COD. 3761611 TIPO/TYPE/TYP 916 T1

BS3D COD. 3761711 TIPO/TYPE/TYP 917 T1
BS4D COD. 3761810 TIPO/TYPE/TYP 918 T1



N.	COD.	DESCRIZIONE	DESCRIPTION	DESCRIPTION	BESCHREIBUNG	BENAMING	MATRICOLA BRUCIATORE BURNER SERIAL NUMBER MATRICOLE BRULEUR BRENNER KENN-NUMMER REGISTRATIENR. BRANDER
1	3008510	•	COVER	COVER	CAPO	BRANDERKAP	
1	3008509		COVER	COVER	CAPO	BRANDERKAP	
1	3007975	•	COVER	COVER	CAPO	BRANDERKAP	
1	3008496	•	COVER	COVER	CAPO	BRANDERKAP	
2	3008582	•	CAPACITOR	CAPACITOR	CONDENSATEUR	CONDENSATOR	≥ 01517100153
3	3007984	•	LEAD	LEAD	CABLE DE CONNEXION	VERBINDUNGSKABEL	
4	3008933	•	LEAD	LEAD	CABLE DE CONNEXION	VERBINDUNGSKABEL	
5	3007982	•	CONNECTOR AND TUBE	CONNECTOR AND TUBE	MAMELON ET TUYAU	NIPPEL MET DRUKLEIDING	
6	3007458	•	VIEWING PORT	VIEWING PORT	REGARD	KIJKGLAS	
7	3007613	•	COVER	COVER	COUVERCLE	DEKSEL	
7	3007491	•	COVER	COVER	COUVERCLE	DEKSEL	
7	3007642	•	COVER	COVER	COUVERCLE	DEKSEL	
8	3007980	•	BRACKET AND SCREW	BRACKET AND SCREW	SUPPORT ET VIS	DRAAGBEUGEL EN SCHROEF	
8	3007981	•	BRACKET AND SCREW	BRACKET AND SCREW	SUPPORT ET VIS	DRAAGBEUGEL EN SCHROEF	
8	3008505	•	BRACKET AND SCREW	BRACKET AND SCREW	SUPPORT ET VIS	DRAAGBEUGEL EN SCHROEF	
9	3007977	•	ELBOW	ELBOW	COUDE	ELLEBOOG	
9	3007978	•	ELBOW	ELBOW	COUDE	ELLEBOOG	
9	3007979	•	ELBOW	ELBOW	COUDE	ELLEBOOG	
10	3008000	•	TUBE	TUBE	TUYAU	LEIDING	
10	3008001	•	TUBE	TUBE	TUYAU	LEIDING	
10	3008002	•	TUBE	TUBE	TUYAU	LEIDING	
10	3008504	•	TUBE	TUBE	TUYAU	LEIDING	
11	3007996	•	DISTRIBUTOR	DISTRIBUTOR	DISTRIBUTEUR	VERDELER	
11	3007997	•	DISTRIBUTOR	DISTRIBUTOR	DISTRIBUTEUR	VERDELER	
11	3007998	•	DISTRIBUTOR	DISTRIBUTOR	DISTRIBUTEUR	VERDELER	
11	3008503	•	DISTRIBUTOR	DISTRIBUTOR	DISTRIBUTEUR	VERDELER	
12	3007993	•	TAZZA	AIR DIFFUSER	DIFFUSEUR D'AIR	LUCHTVERDELER	
12	3007994	•	TAZZA	AIR DIFFUSER	DIFFUSEUR D'AIR	LUCHTVERDELER	
12	3007995	•	TAZZA	AIR DIFFUSER	DIFFUSEUR D'AIR	LUCHTVERDELER	
12	3008501	•	TAZZA	AIR DIFFUSER	DIFFUSEUR D'AIR	LUCHTVERDELER	
13	3007990	•	PROLUNGA GOMITO	ELBOW EXTENSION	PROLONGE COUDE	VERLENGSTUK ELLEBOOG	
13	3007991	•	PROLUNGA GOMITO	ELBOW EXTENSION	PROLONGE COUDE	VERLENGSTUK ELLEBOOG	
13	3007992	•	PROLUNGA GOMITO	ELBOW EXTENSION	PROLONGE COUDE	VERLENGSTUK ELLEBOOG	
14	3007989	•	COLLEGAMENTO	LEAD	CABLE DE CONNEXION	VERBINDUNGSKABEL	
15	3007987	•	SONDA	PROBE	SONDE	SONDE	
15	3007988	•	SONDA	PROBE	SONDE	SONDE	
16	3008930	•	ELETTRODO	ELECTRODE	ELECTRODE	ELECTRODE	
16	3008931	•	ELETTRODO	ELECTRODE	ELECTRODE	ELECTRODE	
16	3008932	•	ELETTRODO	ELECTRODE	ELECTRODE	ELECTRODE	
17	3008489	•	MOTORE	MOTOR	MOTEUR	MOTOR	
17	3008492	•	MOTORE	MOTOR	MOTEUR	MOTOR	
17	3008506	•	MOTORE	MOTOR	MOTEUR	MOTOR	
18	3007454	•	PRESA (Motore)	SOCKET (Motor)	PRISE (Moteur)	VR. STEKKER (Motor)	
19	3007265	•	CAVALLOTTO	U BOLT	CAVALIER	VERBINDINGSSTUK	
20	3007475	•	CONVOGLIATORE	SUCTION DUCT	CONVOYEUR D'AIR	LUCHTGELEIDER	
20	3007651	•	CONVOGLIATORE	SUCTION DUCT	CONVOYEUR D'AIR	LUCHTGELEIDER	
20	3008552	•	CONVOGLIATORE	SUCTION DUCT	CONVOYEUR D'AIR	LUCHTGELEIDER	

N.	COD.	DESCRIZIONE	DESCRIPTION	DESCRIPTION	BESCHREIBUNG	BENAMING	MATRICOLA BRUCIATORE BURNER SERIAL NUMBER MATRICULE BRULEUR BRENNER KENN-NUMMER REGISTRATIENR. BRANDER
21	3007476	GIRANTE	FAN	VENTILATEUR	GEBLÄSERAD	VENTILATOR	
21	3007652	GIRANTE	FAN	VENTILATEUR	GEBLÄSERAD	VENTILATOR	
21	3008494	GIRANTE	FAN	VENTILATEUR	GEBLÄSERAD	VENTILATOR	
22	3005447	GRUPPO MISURAZIONE	TEST POINT	PRISE DE PRESSION	MESSNIPPEL	DRUKMETING	
23	3008003	ANELLO DI TENUTA	O - RING SEAL	JOINT D'ETANCHEITE	O - RING DICHTUNG	DICHTING O-RING	
23	3008004	ANELLO DI TENUTA	O - RING SEAL	JOINT D'ETANCHEITE	O - RING DICHTUNG	DICHTING O-RING	
23	3008005	ANELLO DI TENUTA	O - RING SEAL	JOINT D'ETANCHEITE	O - RING DICHTUNG	DICHTING O-RING	
24	3008006	MANICOTTO	MANIFOLD	MANCHON	GASANSCHLUSS	MOF	
24	3008007	MANICOTTO	MANIFOLD	MANCHON	GASANSCHLUSS	MOF	
24	3008008	MANICOTTO	MANIFOLD	MANCHON	GASANSCHLUSS	MOF	
24	3008502	MANICOTTO	MANIFOLD	MANCHON	GASANSCHLUSS	MOF	
25	3008009	IMBUTO FIAMMA	END CONE	EMBOUT GUEULARD	FLAMMENROHR	BRANDERKOPRING	
25	3008010	IMBUTO FIAMMA	END CONE	EMBOUT GUEULARD	FLAMMENROHR	BRANDERKOPRING	
25	3008011	IMBUTO FIAMMA	END CONE	EMBOUT GUEULARD	FLAMMENROHR	BRANDERKOPRING	
25	3008498	IMBUTO FIAMMA	END CONE	EMBOUT GUEULARD	FLAMMENROHR	BRANDERKOPRING	
26	3008012	SCHERMO	GASKET	JOINT	DICHTUNG	DICHTING	
26	3005813	SCHERMO	GASKET	JOINT	DICHTUNG	DICHTING	
26	3008500	SCHERMO	GASKET	JOINT	DICHTUNG	DICHTING	
27	3008013	FLANGIA MOBILE	MOVABLE FLANGE	BRIDE MOBILE	BRENNERFLANSCH	MOBIELE FLENS	
27	3008014	FLANGIA MOBILE	MOVABLE FLANGE	BRIDE MOBILE	BRENNERFLANSCH	MOBIELE FLENS	
27	3008015	FLANGIA MOBILE	MOVABLE FLANGE	BRIDE MOBILE	BRENNERFLANSCH	MOBIELE FLENS	
27	3008493	FLANGIA MOBILE	MOVABLE FLANGE	BRIDE MOBILE	BRENNERFLANSCH	MOBIELE FLENS	
28	3007517	REGOLATORE SERRANDA	AIR DAMPER REGULATOR	SYSTEME REGLAGE D'AIR	LUFTKLAPPENREGLER	LUCHTREGELINGSSTEEEM	
28	3007499	REGOLATORE SERRANDA	AIR DAMPER REGULATOR	SYSTEME REGLAGE D'AIR	LUFTKLAPPENREGLER	LUCHTREGELINGSSTEEEM	
28	3007648	REGOLATORE SERRANDA	AIR DAMPER REGULATOR	SYSTEME REGLAGE D'AIR	LUFTKLAPPENREGLER	LUCHTREGELINGSSTEEEM	
29	3007519	SERRANDA	AIR DAMPER	VOLET AIR	LUFTKLAPPE	LUCHTKLEP	
29	3007840	SERRANDA	AIR DAMPER	VOLET AIR	LUFTKLAPPE	LUCHTKLEP	
29	3007650	SERRANDA	AIR DAMPER	VOLET AIR	LUFTKLAPPE	LUCHTKLEP	
29	3008497	SERRANDA	AIR DAMPER	VOLET AIR	LUFTKLAPPE	LUCHTKLEP	
30	3008027	LEVISMI 1° STADIO	1st STAGE LINKAGE	RACCORDS 1ère ALLURE	1. STUFE HEBELGESTÄNGE	VERBINDING 1ste TRAP	
30	3008028	LEVISMI 1° STADIO	1st STAGE LINKAGE	RACCORDS 1ère ALLURE	1. STUFE HEBELGESTÄNGE	VERBINDING 1ste TRAP	
30	3008029	LEVISMI 1° STADIO	1st STAGE LINKAGE	RACCORDS 1ère ALLURE	1. STUFE HEBELGESTÄNGE	VERBINDING 1ste TRAP	
30	3008507	LEVISMI 1° STADIO	1st STAGE LINKAGE	RACCORDS 1ère ALLURE	1. STUFE HEBELGESTÄNGE	VERBINDING 1ste TRAP	
31	3008030	SUPPORTO	SUPPORT	PORTE ACCROCHEUR	HALTERUNG	HOUDER VLAMHAKER	
32	3008031	APRISERRANDA	AIR DAMPER OPENER	OUVRE - VOLET AIR	LUFTKLAPPENÖFFNER	LUCHTKLEP - OPENER	
33	3007479	CONDENSATORE 4 µF	CAPACITOR 4 µF	CONDENSATEUR 4 µF	KONDENSATOR 4 µF	CONDENSATOR 4 µF	
33	3007655	CONDENSATORE 6,3 µF	CAPACITOR 6,3 µF	CONDENSATEUR 6,3 µF	KONDENSATOR 6,3 µF	CONDENSATOR 6,3 µF	
33	3008499	CONDENSATORE 8 µF	CAPACITOR 8 µF	CONDENSATEUR 8 µF	KONDENSATOR 8 µF	CONDENSATOR 8 µF	
34	3008018	STAFFA	BRACKET	SUPPORT	TRAGBÜGEL	DRAAGBEUGEL	
35	3007423	PRESSOSTATO	PRESSURE SWITCH	PRESSOSTAT	PRESSOSTAT	DRUKREGELAAR	
35	3007444	PRESSOSTATO	PRESSURE SWITCH	PRESSOSTAT	PRESSOSTAT	DRUKREGELAAR	
36	3008017	RACCORDO E TUBETTO	CONNECTOR AND TUBE	MAMELON ET TUYAU	NIPPEL UND RÖHRCHEN	NIPPEL MET DRUKLEIDING	
37	3008934	COLLEGAMENTO	CONNECTION	CABLE DE CONNECTION	VERBINDUNG	VERBINDINGSKABEL	
38	3006949	PRESA 4 POLI	4 POLE SOCKET	PRISE 4 POLES	4 - POLIGE STECKDOSE	4 - POLIGE STOPCONTACT	
39	3001176	APPARECCHIATURA 566SE	CONTROL BOX 566SE	BOITE DE CONTR. 566SE	STEUERGERÄT 566SE	CONTROLEDOOS 566SE	
40	3007396	FUSIBILE	FUSE	FUSIBLE	SCHMELZSICHERUNG	ZEKERING	
41	3008490	COLLEGAMENTO	CONNECTION	CABLE DE CONNEXION	VERBINDUNG	VERBINDINGSKABEL	

