

<b>MB 407/1</b>	
3970229	
<b>MB 412/1</b>	
3970231	
<b>MB 420/1</b>	
3970233 - 3970234	

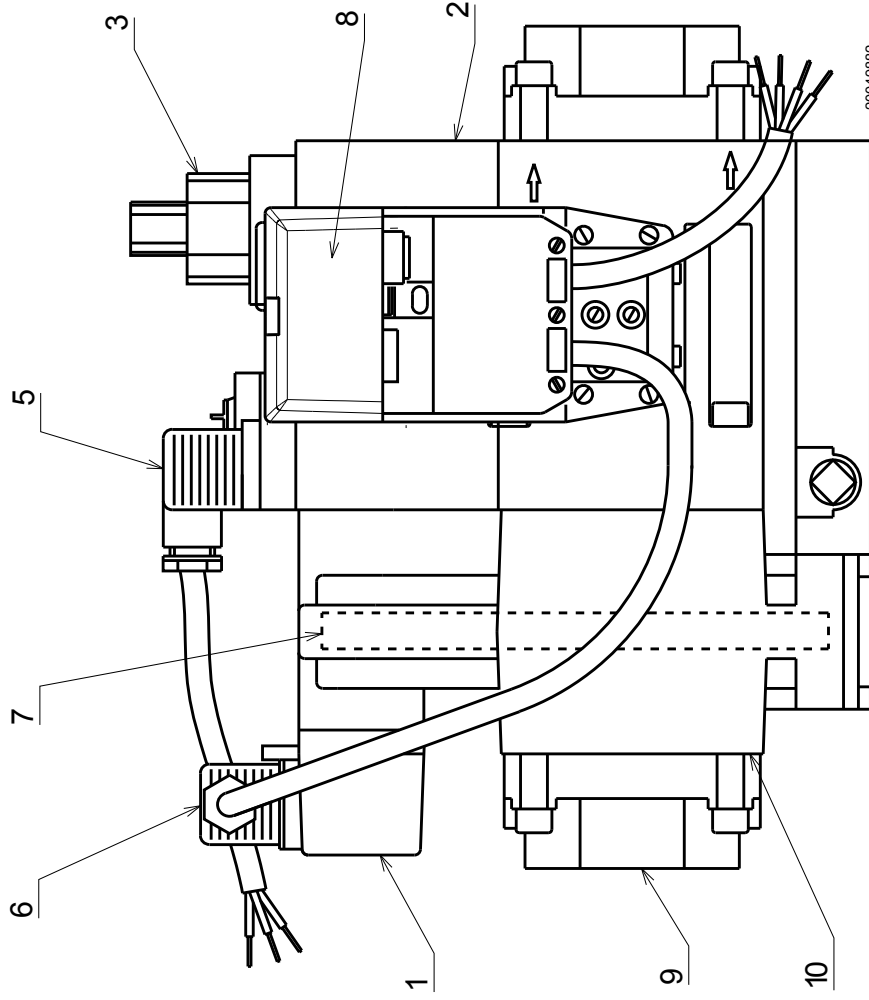
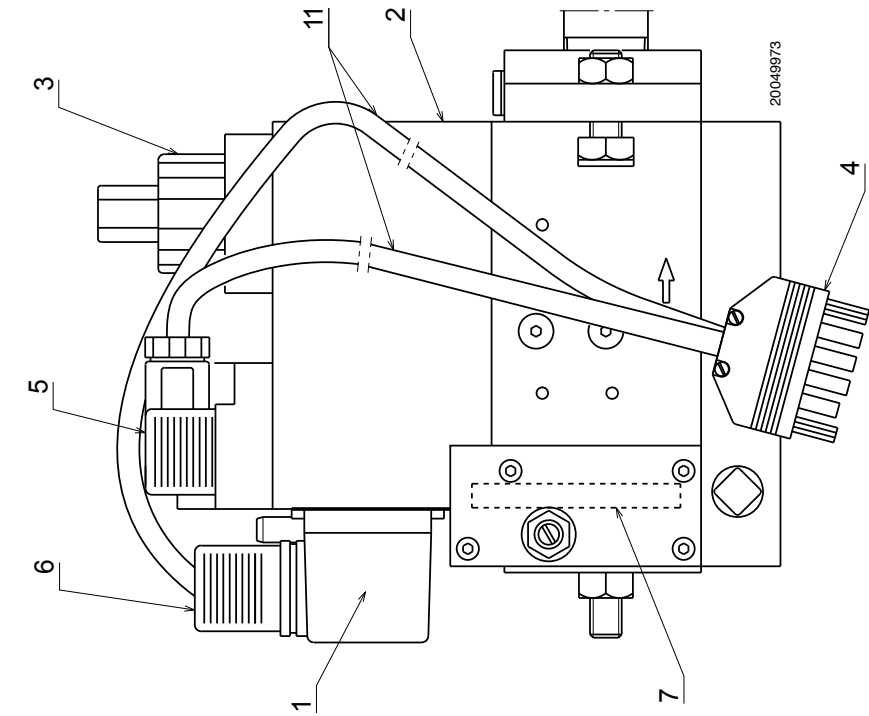
<b>MB 410/1</b>	
3970230	

<b>MB 415/1</b>	
3970232	

<b>MB 412/1</b>	
3970144 - 3970197 - 3970256	

<b>MB 420/1</b>	
3970181 - 3970182 - 3970252 3970257	

<b>MB 415/1</b>	
3970180 - 3970198 - 3970250 3970253	



N.	COD.	DESCRIZIONE	DESCRIPTION	DESCRIPTION	BESCHREIBUNG	DENOMINACION
1	3012196	PRESSOSTATO GAS MIN.	MIN. GAS PRESSURE SWITCH	PRESSOSTAT GAZ MIN.	MIN. GASDRUCKWÄCHTER	PRESÓSTATO DE GAS MÍNIMA
2	3008532	BOBINA	COIL	BOBINE	SPULE	BOBINA
2	3008530	BOBINA	COIL	BOBINE	SPULE	BOBINA
2	20012419	BOBINA	COIL	BOBINE	SPULE	BOBINA
2	3012821	BOBINA	COIL	BOBINE	SPULE	BOBINA
2	20012420	BOBINA	COIL	BOBINE	SPULE	BOBINA
2	3012882	BOBINA	COIL	BOBINE	SPULE	BOBINA
2	20012421	BOBINA	COIL	BOBINE	SPULE	BOBINA
3	3008524	FRENO IDRAULICO	HYDRAULIC BRAKE	FREIN HYDRAULIQUE	HIDRAULISCHE BREMSE	FRENO HIDRÁULICO
3	3012826	FRENO IDRAULICO	HYDRAULIC BRAKE	FREIN HYDRAULIQUE	HIDRAULISCHE BREMSE	FRENO HIDRÁULICO
4	3007426	SPINA A 6 POLI	6 PIN PLUG	FICHE À 6 PÔLES	6-POLIGER STEKKER	CONECTOR MACHO DE 6 CONTACTOS
5	3008521	PRESA NERA	BLACK SOCKET	PRISE NOIR	SCHWARZ STECKDOSE	CONECTADOR NEGRO
6	3008519	PRESA GRIGIA	GRAY SOCKET	PRISE GRIS	GREY STECKDOSE	CONECTADOR GRIS
7	3012242	PARTE FILTRANTE	FILTER PART	PARTIE FILTRANTE	FILTER-TEIL	PIEZA DE FILTRO
7	3012827	PARTE FILTRANTE	FILTER PART	PARTIE FILTRANTE	FILTER-TEIL	PIEZA DE FILTRO
8	3012220	CONTROLLO DI TENUTA	VALVE LEAK DETECTION CONTROL DEVICE	CONTRÔLE D'ÉTAINCHÉITÉ	DICHTHEITSKONTROLLE	CONTROL DE ESTANQUEIDAD
9	3014000	FLANGIA	FLANGE	BRIDE	KESSELFLANSCH	BRIDA
10	3013987	ANELLO OR	O-RING	JOINT TORIQUE	O-RING-DICHTUNG	JUNTA TÓRICA
11	3013638	COLLEGAMENTO	LEAD	CABLE DE CONNEXION	VERBINDUNGSKABEL	VERBINDUNGSKABEL