

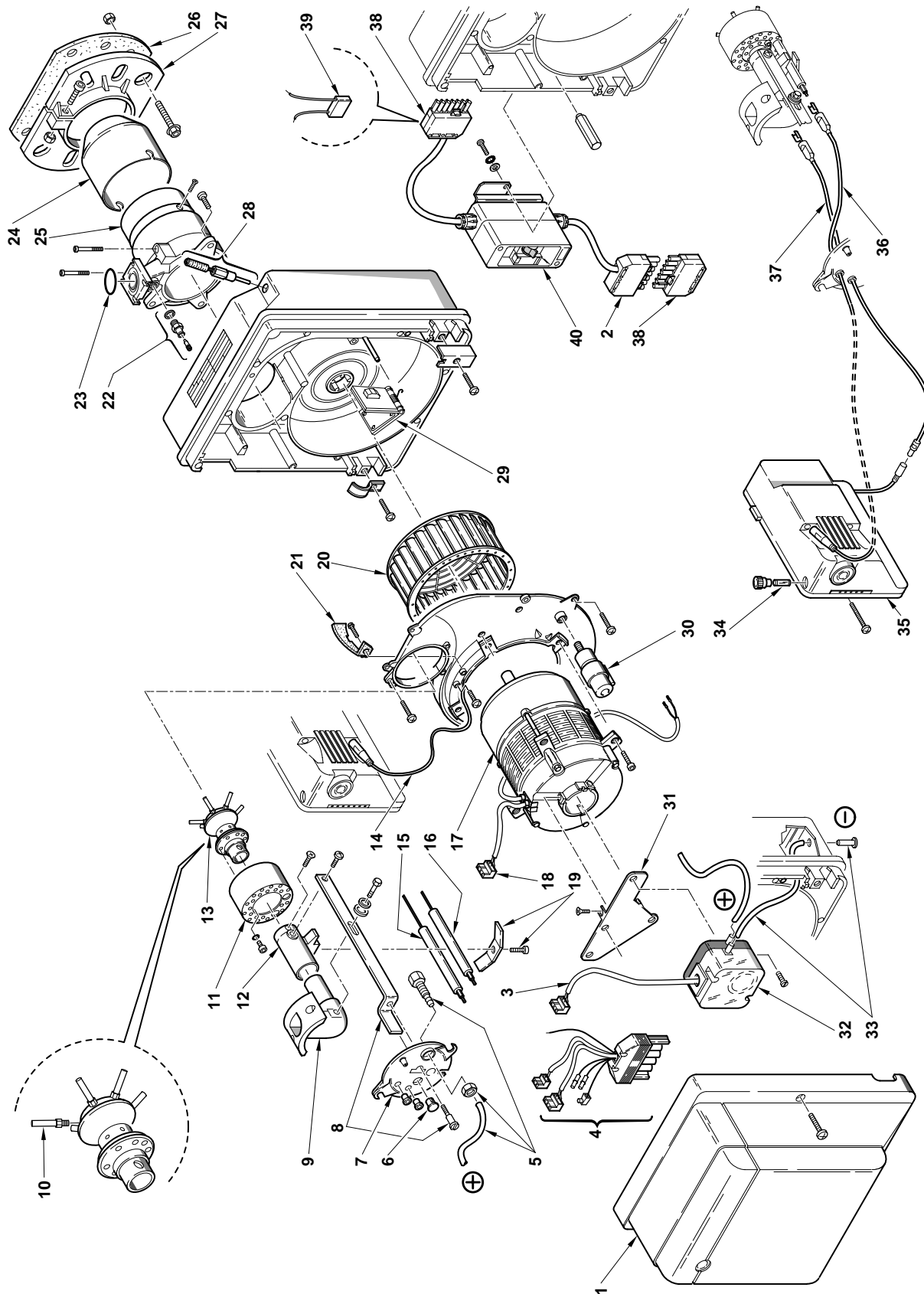
Bruciatori di gas • Gas burners • Brûleurs gaz • Gas-Gebläsebrenner • Gasbranders

# Gulliver

**BS1**  
**BS2**  
**BS3**  
**BS4**

COD. **3761146**  
COD. **3761246**  
COD. **3761346**  
COD. **3761446**

TIPO/TYP/TYP **911 T1**  
TIPO/TYP/TYP **912 T1**  
TIPO/TYP/TYP **913 T1**  
TIPO/TYP/TYP **914 T1**



N.	COD.	DESCRIZIONE	DESCRIPTION	DESCRIPTION	BESCHREIBUNG	BENAMING	MATRICOLA BRUCIATORE BURNER SERIAL NUMBER MATRICULE BRULEUR BRENNER KENN-NUMMER REGISTRATIENR. BRANDER
1	3008508	COFANO	COVER	COVER	VERKLEIDUNG	BRANDERKAP	
1	3008509	COFANO	COVER	COVER	VERKLEIDUNG	BRANDERKAP	
1	3007975	COFANO	COVER	COVER	VERKLEIDUNG	BRANDERKAP	
1	3008496	COFANO	COVER	COVER	VERKLEIDUNG	BRANDERKAP	
2	3006938	PRESA A 7 POLI	7 POLE SOCKET	7 POLE SOCKET	7 - POLIGE STECKDOSE	7 - POLIGE VR. STEKKER	
3	3007984	COLLEGAMENTO	LEAD	LEAD	VERBINDUNG	VERBINDUNGSKABEL	
4	3008933	COLLEGAMENTO	LEAD	LEAD	VERBINDUNG	VERBINDUNGSKABEL	
5	3007982	RACCORDO E TUBETTO	CONNECTOR AND TUBE	CONNECTOR AND TUBE	NIPPEL UND RÖHRCHEN	NIPPEL MET DRUKLEIDING	
6	3007458	VETRINO	VIEWING PORT	VIEWING PORT	REGARD	KIJKGLAS	
7	3007613	OPERCHIO	COVER	COVER	COUVERCLE	DEKSEL	
7	3007491	OPERCHIO	COVER	COVER	COUVERCLE	DEKSEL	
7	3007642	OPERCHIO	COVER	COVER	COUVERCLE	DEKSEL	
8	3007980	STAFFA E VITE	BRACKET AND SCREW	BRACKET AND SCREW	SUPPORT ET VIS	DRAAGBEUGEL EN SCHROEF	
8	3007981	STAFFA E VITE	BRACKET AND SCREW	BRACKET AND SCREW	SUPPORT ET VIS	DRAAGBEUGEL EN SCHROEF	
8	3008505	STAFFA E VITE	BRACKET AND SCREW	BRACKET AND SCREW	SUPPORT ET VIS	DRAAGBEUGEL EN SCHROEF	
9	3007977	GOMITO	ELBOW	ELBOW	COUDE	ELLEBOOG	
9	3007978	GOMITO	ELBOW	ELBOW	COUDE	ELLEBOOG	
9	3007979	GOMITO	ELBOW	ELBOW	COUDE	ELLEBOOG	
10	3008000	TUBO	TUBE	TUBE	TUYAU	LEIDING	
10	3008001	TUBO	TUBE	TUBE	TUYAU	LEIDING	
10	3008002	TUBO	TUBE	TUBE	TUYAU	LEIDING	
10	3008504	TUBO	TUBE	TUBE	TUYAU	LEIDING	
11	3007993	TAZZA	AIR DIFFUSER	AIR DIFFUSER	DIFFUSEUR D'AIR	LUCHTVERDELER	
11	3007994	TAZZA	AIR DIFFUSER	AIR DIFFUSER	DIFFUSEUR D'AIR	LUCHTVERDELER	
11	3007995	TAZZA	AIR DIFFUSER	AIR DIFFUSER	DIFFUSEUR D'AIR	LUCHTVERDELER	
11	3008501	TAZZA	AIR DIFFUSER	AIR DIFFUSER	DIFFUSEUR D'AIR	LUCHTVERDELER	
12	3007990	PROLUNGA GOMITO	ELBOW EXTENSION	ELBOW EXTENSION	PROLONGE COUDE	VERLENGSTUK ELLEBOOG	
12	3007991	PROLUNGA GOMITO	ELBOW EXTENSION	ELBOW EXTENSION	PROLONGE COUDE	VERLENGSTUK ELLEBOOG	
12	3007992	PROLUNGA GOMITO	ELBOW EXTENSION	ELBOW EXTENSION	PROLONGE COUDE	VERLENGSTUK ELLEBOOG	
13	3007996	DISTRIBUTORE	DISTRIBUTOR	DISTRIBUTOR	DISTRIBUTEUR	VERDELER	
13	3007997	DISTRIBUTORE	DISTRIBUTOR	DISTRIBUTOR	DISTRIBUTEUR	VERDELER	
13	3007998	DISTRIBUTORE	DISTRIBUTOR	DISTRIBUTOR	DISTRIBUTEUR	VERDELER	
13	3008503	DISTRIBUTORE	DISTRIBUTOR	DISTRIBUTOR	DISTRIBUTEUR	VERDELER	
14	3007989	COLLEGAMENTO	LEAD	LEAD	CABLE DE CONNEXION	VERBINDUNGSKABEL	
15	3007987	SONDA	PROBE	PROBE	SONDE	SONDE	
15	3007988	SONDA	PROBE	PROBE	SONDE	SONDE	
16	3008930	ELETTRODO	ELECTRODE	ELECTRODE	ELECTRODE	ELECTRODE	
16	3008931	ELETTRODO	ELECTRODE	ELECTRODE	ELECTRODE	ELECTRODE	
16	3008932	ELETTRODO	ELECTRODE	ELECTRODE	ELECTRODE	ELECTRODE	
17	3008489	MOTORE	MOTOR	MOTOR	MOTEUR	MOTOR	
17	3008492	MOTORE	MOTOR	MOTOR	MOTEUR	MOTOR	
17	3008506	MOTORE	MOTOR	MOTOR	MOTEUR	MOTOR	
18	3007454	PRESA (Motore)	SOCKET (Motor)	SOCKET (Motor)	PRISE (Moteur)	VR. STEKKER (Motor)	
19	3007265	CAVALLOTTO	U BOLT	CAVALIER	BÜGELBOLZEN	VERBINDINGSSTUK	
20	3007476	GIRANTE	FAN	FAN	VENTILATEUR	VENTILATOR	
20	3007652	GIRANTE	FAN	FAN	VENTILATEUR	VENTILATOR	
20	3008494	GIRANTE	FAN	FAN	VENTILATEUR	VENTILATOR	

N.	COD.	DESCRIZIONE	DESCRIPTION	DESCRIPTION	BESCHREIBUNG	BENAMING	MATRICOLA BRUCIATORE BURNER SERIAL NUMBER MATRICULE BRULEUR BRENNER KENN-NUMMER REGISTRATIENR. BRANDER
21	3007475	CONVOGLIATORE	SUCTION DUCT	CONVOYEUR D'AIR	ANSAUGÖFFNUNG	LUCHTGELEIDER	
21	3007651	CONVOGLIATORE	SUCTION DUCT	CONVOYEUR D'AIR	ANSAUGÖFFNUNG	LUCHTGELEIDER	
21	3008552	CONVOGLIATORE	SUCTION DUCT	CONVOYEUR D'AIR	ANSAUGÖFFNUNG	LUCHTGELEIDER	
22	3005447	GRUPPO MISURAZIONE	TEST POINT	PRISE DE PRESSION	MESSNIPPEL	DRUKMETING	
23	3008003	ANELLO DI TENUTA	O - RING SEAL	JOINT D'ETANCHEITE	O - RING DICHTUNG	DICHTING O-RING	
23	3008004	ANELLO DI TENUTA	O - RING SEAL	JOINT D'ETANCHEITE	O - RING DICHTUNG	DICHTING O-RING	
23	3008005	ANELLO DI TENUTA	O - RING SEAL	JOINT D'ETANCHEITE	O - RING DICHTUNG	DICHTING O-RING	
24	3008009	IMBUTO FIAMMA	END CONE	EMBOUT GUEULARD	FLAMMENROHR	BRANDERKOPRING	
24	3008010	IMBUTO FIAMMA	END CONE	EMBOUT GUEULARD	FLAMMENROHR	BRANDERKOPRING	
24	3008011	IMBUTO FIAMMA	END CONE	EMBOUT GUEULARD	FLAMMENROHR	BRANDERKOPRING	
24	3008498	IMBUTO FIAMMA	END CONE	EMBOUT GUEULARD	FLAMMENROHR	BRANDERKOPRING	
25	3008006	MANICOTTO	MANIFOLD	MANCHON	GASANSCHLUSS	MOF	
25	3008007	MANICOTTO	MANIFOLD	MANCHON	GASANSCHLUSS	MOF	
25	3008008	MANICOTTO	MANIFOLD	MANCHON	GASANSCHLUSS	MOF	
25	3008502	MANICOTTO	MANIFOLD	MANCHON	GASANSCHLUSS	MOF	
26	3008012	SCHERMO	GASKET	JOINT	DICHTUNG	DICHTING	
26	3008503	SCHERMO	GASKET	JOINT	DICHTUNG	DICHTING	
26	3008500	SCHERMO	GASKET	JOINT	DICHTUNG	DICHTING	
27	3008013	FLANGIA MOBILE	MOVABLE FLANGE	BRIDE MOBILE	BRENNERFLANSCH	MOBIELE FLENS	
27	3008014	FLANGIA MOBILE	MOVABLE FLANGE	BRIDE MOBILE	BRENNERFLANSCH	MOBIELE FLENS	
27	3008015	FLANGIA MOBILE	MOVABLE FLANGE	BRIDE MOBILE	BRENNERFLANSCH	MOBIELE FLENS	
27	3008493	FLANGIA MOBILE	MOVABLE FLANGE	BRIDE MOBILE	BRENNERFLANSCH	MOBIELE FLENS	
28	3007517	REGOLATORE SERRANDA	AIR DAMPER REGULATOR	SYSTEME REGLAGE D'AIR	LUFTKLAPPENREGLER	LUCHTREGELINGSSTEEM	≤ 01220XXXXXXX
28	3007499	REGOLATORE SERRANDA	AIR DAMPER REGULATOR	SYSTEME REGLAGE D'AIR	LUFTKLAPPENREGLER	LUCHTREGELINGSSTEEM	≤ 01220XXXXXXX
28	3007648	REGOLATORE SERRANDA	AIR DAMPER REGULATOR	SYSTEME REGLAGE D'AIR	LUFTKLAPPENREGLER	LUCHTREGELINGSSTEEM	≤ 01220XXXXXXX
28	3007648	REGOLATORE SERRANDA	AIR DAMPER REGULATOR	SYSTEME REGLAGE D'AIR	LUFTKLAPPENREGLER	LUCHTREGELINGSSTEEM	≥ 01230XXXXXXX
28	3008728	REGOLATORE SERRANDA	AIR DAMPER REGULATOR	SYSTEME REGLAGE D'AIR	LUFTKLAPPENREGLER	LUCHTREGELINGSSTEEM	≥ 01230XXXXXXX
28	3002395	REGOLATORE SERRANDA	AIR DAMPER REGULATOR	SYSTEME REGLAGE D'AIR	LUFTKLAPPENREGLER	LUCHTREGELINGSSTEEM	≥ 01230XXXXXXX
29	3007519	SERRANDA	AIR DAMPER	VOLET AIR	LUFTKLAPPE	LUCHTKLEP	≤ 01220XXXXXXX
29	3007840 (A)	SERRANDA	AIR DAMPER	VOLET AIR	LUFTKLAPPE	LUCHTKLEP	≤ 01220XXXXXXX
29	3007650 (B)	SERRANDA	AIR DAMPER	VOLET AIR	LUFTKLAPPE	LUCHTKLEP	≥ 01230XXXXXXX
29	3008497	SERRANDA	AIR DAMPER	VOLET AIR	LUFTKLAPPE	LUCHTKLEP	≥ 01230XXXXXXX
29	3008729	SERRANDA	AIR DAMPER	VOLET AIR	LUFTKLAPPE	LUCHTKLEP	≥ 01230XXXXXXX
29	3002394	SERRANDA	AIR DAMPER	VOLET AIR	LUFTKLAPPE	LUCHTKLEP	≥ 01230XXXXXXX
30	3007479	CONDENSATORE 4µF	CAPACITOR 4 µF	CONDENSATEUR 4µF	KONDENSATOR 4µF	CONDENSATOR 4µF	
30	3007655	CONDENSATORE 6.3 µF	CAPACITOR 6.3 µF	CONDENSATEUR 6.3 µF	KONDENSATOR 6.3 µF	CONDENSATOR 6.3 µF	
30	3008499	CONDENSATORE 8 µF	CAPACITOR 8 µF	CONDENSATEUR 8 µF	KONDENSATOR 8 µF	CONDENSATOR 8 µF	
31	3008018	STAFFA	BRACKET	SUPPORT	TRAGBÜGEL	DRAAGBEUGEL	
32	3007423	PRESSOSTATO	PRESSURE SWITCH	PRESSOSTAT	PRESSOSTAT	DRUKREGELAAR	
32	3007444	PRESSOSTATO	PRESSURE SWITCH	PRESSOSTAT	PRESSOSTAT	DRUKREGELAAR	
33	3008017	RACCORDO E TUBETTO	CONNECTOR AND TUBE	MAMELON ET TUYAU	NIPPEL UND RÖHRCHEN	NIPPEL MET DRUKLEIDING	
34	3007396	FUSIBILE	FUSE	FUSIBLE	SCHMELZSICHERUNG	ZEKERING	
35	3001176	APPARECCHIATURA 566SE	CONTROL BOX 566SE	BOITE DE CONTR. 566SE	STEUERGERÄT 566SE	CONTOLEDOOS 566SE	
36	3008491	COLLEGAMENTO A.T.	HIGH VOLTAGE LEAD	CABLE HAUTE TENSION	ZÜNDKABEL	HOOGSPANNINGSKABEL	
37	3008490	COLLEGAMENTO A.T.	LEAD	CABLE DE CONNEXION	VERBINDUNG	VERBINDINGSKABEL	
38	3006937	SPINA A 7 POLI	7 PIN PLUG	FICHE 7 POLES	7 - POLIGER STECKER	7 - POLIGE STEKKER	
39	3008582	CONDENSATORE	CAPACITOR	CONDENSATEUR	KONDENSATOR	CONDENSATOR	

