

Bruciatori di gas ad aria soffiata

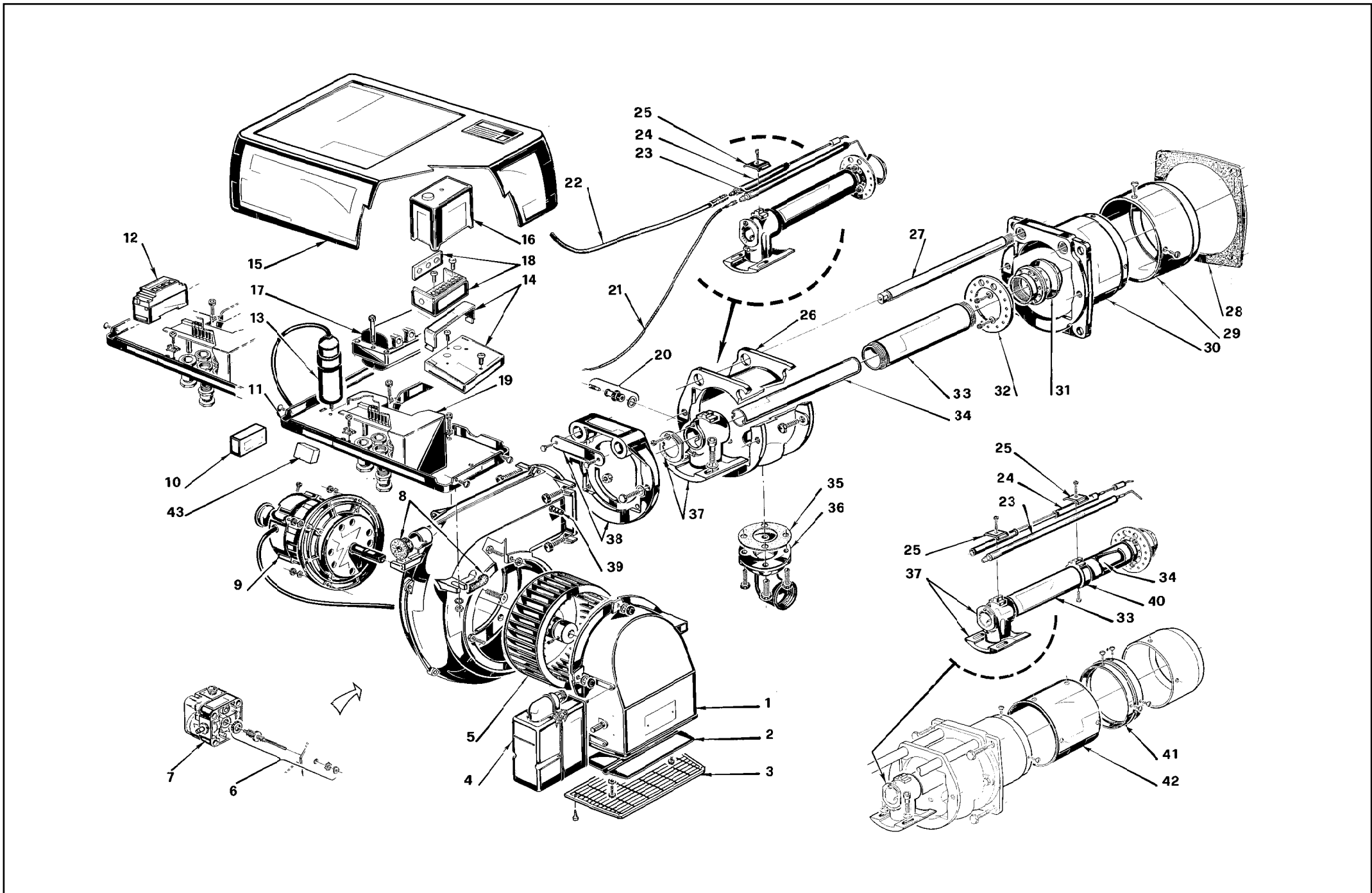
Blown gas burners

Brûleurs gaz à air soufflé

Gebläse-Gasbrenner

Funzionamento bistadio
Two-stage operation
Fonctionnement à deux allures
Zweistufiger Betrieb

COD.	MOD.	TYP.
3752105	GAS 3/2	521 M
3752116	GAS 3/2	521 T1
3752145	GAS 3/2	521 T40



N.	COD.	3752105-521 M	3752116-521 T1	3752145-521 T40	DESCRIZIONE	DESCRIPTION	DESCRIPTION	BESCHREIBUNG	MATRICOLA BRUCIATORE BURNER SERIAL NUMBER MATRICULE BRULEUR BRENNER KENN-NUMMER
1	3003385	●	●	●	BOCCA D'ASPIRAZIONE	AIR INTAKE	BOITIER D'ASPIRATION	ANSAUGÖFFNUNG	
2	3003316	●	●	●	GRUPPO SERRANDA	AIR DAMPER ASSEMBLY	GROUPE VOLET AIR	LUFTKLAPPE	
3	3003314	●	●	●	PROTEZIONE	GRID	PROTECTION	SCHUTZGITTER	
4	3006311	●	●	●	MOTORINO SERRANDA	DAMPER MOTOR	SERVOMOTEUR VOLET D'AIR	LUFTKLAPPENSTELLMOTOR	
5	3005671	●	●	●	GIRANTE	FAN	TURBINE	GEBLÄSERAD	
6	3006594	●	●	●	RACCORDO PRESA ARIA	AIR PRESSURE SENSOR GROUP	RACCORD PRISE AIR	LUFTDRUCK SONDE	
7	3006593	●	●	●	PRESSOSTATO ARIA	AIR PRESSURE SWITCH	PRESSOSTAT AIR	LUFTDRUCKWÄCHTER	
8	3003406	●	●	●	PROTEZIONE	GRID	PROTECTION	SCHUTZGITTER	
9	3005286	●	●	●	MOTORE	MOTOR	MOTEUR	MOTOR	
10	3012160	●	●	●	FILTRO ANTIDISTURBO	DEGLITCHER	FILTRE	ENTSTÖRER	
11	3003328	●	●	●	MENSOLA	BASE PLATE	PLAQUE DE SUPPORT	GRUNDPLATTE	
12	3007269	●	●	●	INTERRUTTORE DIFFERENZIALE	GROUND FAULT INTERRUPTER	INTERRUPTER DIFFERENTIEL	FEHLERSTROMSCHUTZSCHALTER	
13	3005285	●	●	●	CONDENSATORE	CONDENSER	CONDENSATEUR	KONDENSATOR	
14	3012172	●	●	●	SUPPORTO	SUPPORT	SUPPORT	HALTER	
15	3003387	●	●	●	COPERCHIO	COVER	COUVERCLE	DECKEL	
16	3012157	●	●	●	APPARECCHIATURA	CONTROL BOX	BOITE DE CONTROLE	STEUERGERÄT	
17	3012159	●	●	●	TRASFORMATORE	TRANSFORMER	TRANSFORMATEUR	ZÜNDTRANSFORMATOR	
18	3012158	●	●	●	ZOCCOLO	BASE	SOCLE	SOCKEL	
19	3003071	●	●	●	COPERCHIO	COVER	COUVERCLE	PVC ABDECKUNG	
20	3005447	●	●	●	GRUPPO MISURAZIONE	TEST POINT	PRISE DE PRESSION	MESSNIPPEL	
21	3005442	●	●	●	COLLEGAMENTO PER SONDA	PROBE LEAD	CONNEXION POUR SONDE	VERBINDUNG FÜR SONDE	
22	3003794	●	●	●	COLLEGAMENTO PER ELETTRODO	H.T. LEAD	CONNEXION POUR ELECTRODE	VERBINDUNG FÜR ELEKTRODE	
23	3012173	●	●	●	SONDA CORTA	SHORT PROBE	SONDE COURTE	KURZE JONISATIONSELEKTRODE	
* 23	3012182	●	●	●	SONDA LUNGA	LONG PROBE	SONDE LONGUE	LANGE JONISATIONSELEKTRODE	
24	3005593	●	●	●	ELETTRODO CORTO	SHORT ELECTRODE	ELECTRODE COURTE	KURZE ELEKTRODE	
* 24	3000624	●	●	●	ELETTRODO LUNGO	LONG ELECTRODE	ELECTRODE LONGUE	LANGE ELEKTRODE	
25	3003409	●	●	●	CAVALLOTTO	U BOLT	CAVALIER	BÜGELBOLZEN	
26	3003334	●	●	●	MANICOTTO	MANIFOLD	MANCHON	GASANSCHLUSS	
27	3003389	●	●	●	PERNO	BAR	GLISSIERE	BOLZEN	
28	3005741	●	●	●	SCHERMO	FLANGE GASKET	ECRAN THERMIQUE	FLANSCHDICHTUNG	
29	3005696	●	●	●	IMBUTO FIAMMA	END CONE	EMBOUT GUEULARD	FLAMMENROHR	
30	3005683	●	●	●	BOCCAGLIO	BLAST TUBE	GUEULARD	BRENNERFLANSCH	
31	3006057	●	●	●	DISTRIBUTORE	GAS HEAD	DISTRIBUTEUR	GASVERTEILER	
32	3006004	●	●	●	DISCO	DISC	DISQUE	SCHEIBE	
33	3006641	●	●	●	TUBO ESTERNO	EXTERIOR TUBE	TUYAU EXTERIEUR	AUSSERER ROHR	
* 33	3003410	●	●	●	TUBO ESTERNO	EXTERIOR TUBE	TUYAU EXTERIEUR	AUSSERER ROHR	
34	3006632	●	●	●	TUBO INTERNO	INTERIOR TUBE	TUYAU INTERIEUR	INNERER ROHR	
* 34	3003407	●	●	●	TUBO INTERNO	INTERIOR TUBE	TUYAU INTERIEUR	INNERER ROHR	
35	3005483	●	●	●	GUARNIZIONE	SEAL	RONDELLE	FLANSCHDICHTUNG	
36	3006802	●	●	●	FLANGIA E GOMITO	FLANGE AND ELBOW	BRIDE ET COUDE	ANSCHLUSSFLANSCHGAS	
37	3006852	●	●	●	GOMITO E GHIERA	ELBOW AND FERRULE	COUDE ET DISQUE	SCHLITTEN UND STELLRING	
* 37	3003412	●	●	●	GOMITO E GHIERA	ELBOW AND FERRULE	COUDE ET DISQUE	SCHLITTEN UND STELLRING	
38	3003501	●	●	●	COLLARE	COLLAR	COLLIER	INNERER FLANSCH	
39	3003322	●	●	●	RACCORDO	CONNECTOR	MAMELON	NIPPEL	

* = Versione Testa Lunga - Long Combustion Head Version - Version Tête Longue - Langer Brennkopf Ausführung

N.	COD.	3752105-521 M	3752116-521 T1	3752145-521 T40	DESCRIZIONE	DESCRIPTION	DESCRIPTION	BESCHREIBUNG	MATRICOLA BRUCIATORE BURNER SERIAL NUMBER MATRICULE BRULEUR BRENNER KENN-NUMMER
* 40	3003357	●	●	●	SUPPORTO ELETTRODI	ELECTRODE BRACKET	SUPPORT ELECTRODES	ELEKTRODEN HALTERUNG	
* 41	3000584	●	●	●	DENTE	CONNECTION SLEEVE	JONCTION	STAUING	
* 42	3000586	●	●	●	CILINDRO	SLEEVE	CYLINDRE	ZYLINDER	
43	3012171			●	FILTRO RC1	FILTER RC1	FILTRE RC1	ENTSTÖRER RC1	

* = Versione Testa Lunga - Long Combustion Head Version - Version Tête Longue - Langer Brennkopf Ausführung



RIELLO S.p.A.
Via degli Alpini 1
I - 37045 Legnago (VR)
Tel.: +39.0442.630111 Fax: +39.0442.22378
[http:// www.riello.it](http://www.riello.it)