

## **Bruciatori di gas ad aria soffiata**

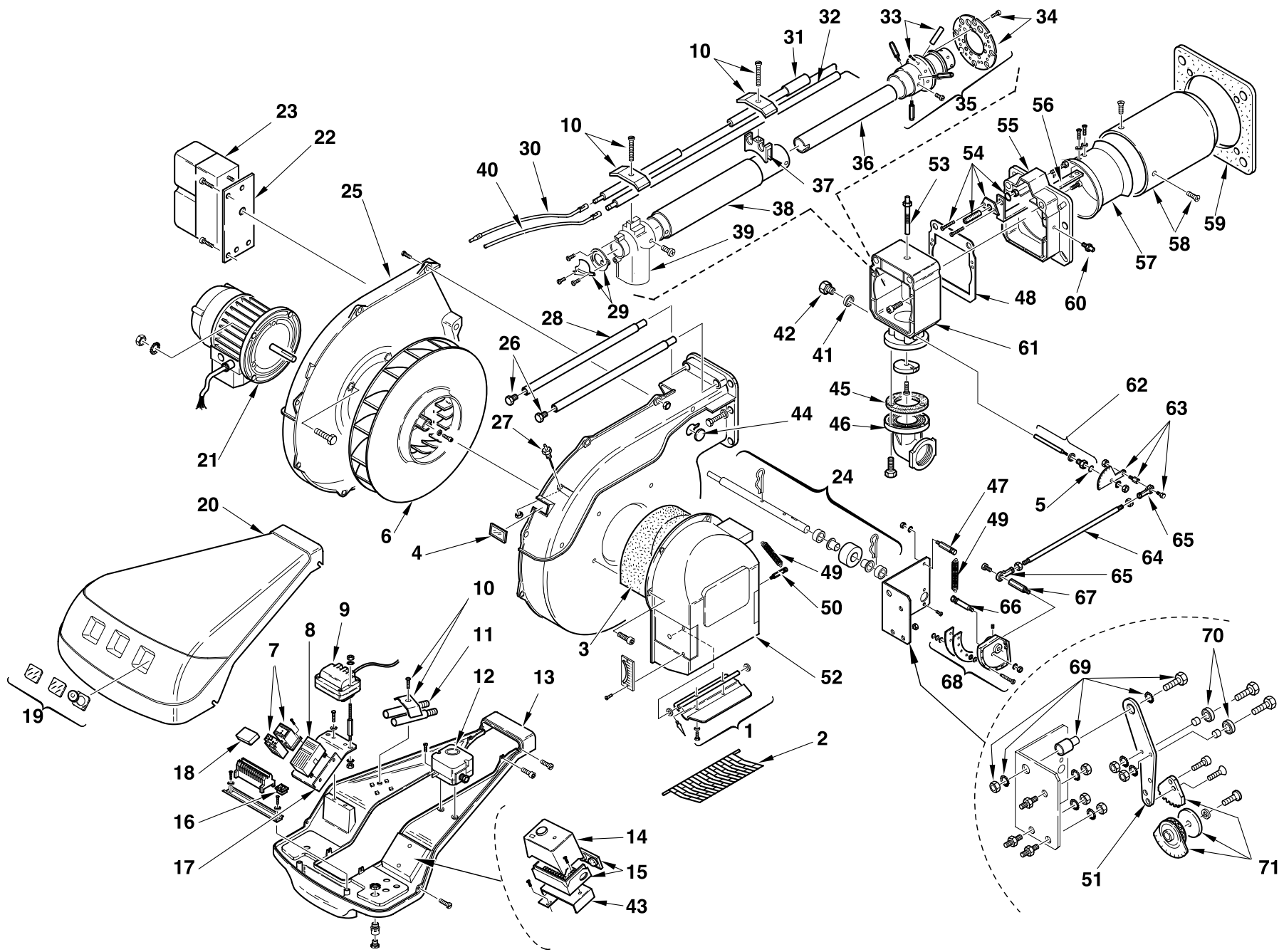
## **Blown gas burners**

## **Brûleurs gaz à air soufflé**

## **Gebläse-Gasbrenner**

Funzionamento bistadio  
Two-stage operation  
Fonctionnement à deux allures  
Zweistufiger Betrieb

<b>COD.</b>	<b>TYP.</b>	<b>MOD</b>
<b>3785020</b>	<b>821 T1</b>	<b>RS 70</b>
<b>3785021</b>	<b>821 T1</b>	<b>RS 70</b>
<b>3785022</b>	<b>821 T1</b>	<b>RS 70</b>
<b>3785023</b>	<b>821 T1</b>	<b>RS 70</b>
<b>3785220</b>	<b>822 T1</b>	<b>RS 100</b>
<b>3785221</b>	<b>822 T1</b>	<b>RS 100</b>
<b>3785222</b>	<b>822 T1</b>	<b>RS 100</b>
<b>3785223</b>	<b>822 T1</b>	<b>RS 100</b>
<b>3785420</b>	<b>823 T1</b>	<b>RS 130</b>
<b>3785421</b>	<b>823 T1</b>	<b>RS 130</b>
<b>3785422</b>	<b>823 T1</b>	<b>RS 130</b>
<b>3785423</b>	<b>823 T1</b>	<b>RS 130</b>



N.	COD.	821 T1				822 T1				823 T1				DESCRIZIONE	DESCRIPTION	DESCRIPTION	BESCHREIBUNG	MATRICOLA BRUCIATORE BURNER SERIAL NUMBER MATRICULE BRULEUR BRENNER KENN-NUMMER
		3785020	3785021 *	3785022	3785023 *	3785220	3785221 *	3785222	3785223 *	3785420	3785421 *	3785422	3785423 *					
1	3012007	●	●	●	●	●	●	●	●	●	●	●	GRUPPO SERRANDA	AIR DAMPER ASSEMBLY	GROUPE VOLET AIR	LUFTKLAPPE		
2	3003949	●	●	●	●	●	●	●	●	●	●	●	PROTEZIONE	GRID	PROTECTION	SCHUTZGITTER		
3	3003952	●	●	●	●	●	●	●	●	●	●	●	FONOASSORBENTE	SOUND DAMPING	INSONORISANT	GERÄUSCHDÄMMUNG		
4	3003763	●	●	●	●	●	●	●	●	●	●	●	VISORE	INSPECTION WINDOW	VISEUR	SICHTFENSTER		
5	3007029	●	●	●	●	●	●	●	●	●	●	●	ANELLO	PISTON SEAL	JOINT TORIQUE	LIPPENDICHTUNG		
6	3003955	●	●	●	●								GIRANTE	FAN	TURBINE	GEBLÄSERAD		
6	3003964					●	●	●	●				GIRANTE	FAN	TURBINE	GEBLÄSERAD		
6	3003965									●	●	●	GIRANTE	FAN	TURBINE	GEBLÄSERAD		
7	3003959	●	●	●	●								AVVIATORE	STARTER	DEMARREUR	ANLASSER		
7	3003960					●	●	●	●				AVVIATORE	STARTER	DEMARREUR	ANLASSER		
7	3003961									●	●	●	AVVIATORE	STARTER	DEMARREUR	ANLASSER		
8	3003786	●	●			●	●			●	●		STATUS	STATUS	STATUS	STATUS		
8	3003958			●	●			●	●		●	●	LED PANEL	LED PANEL	LED PANEL	LED PANEL		
9	3003847	●	●	●	●	●	●	●	●	●	●	●	TRASFORMATORE	TRANSFORMER	TRANSFORMATEUR	ZÜNDTRANSFORMATOR		
10	3003409	●	●	●	●	●	●	●	●	●	●	●	CAVALLOTTO	U BOLT	CAVALIER	BÜGELBOLZEN		
11	3003956	●	●	●	●	●	●	●	●	●	●	●	PROLUNGA PERNO	BAR EXTENSION	RALLONGE DE GLISSIERE	VERLÄNGERUNG		
12	3007444	●	●	●	●	●	●	●	●	●	●	●	PRESSOSTATO ARIA	AIR PRESSURE SWITCH	PRESSOSTAT AIR	LUFTDRUCKWÄCHTER		
13	3012008	●	●	●	●	●	●	●	●	●	●	●	MENSOLA	BASE PLATE	PLAQUE DE SUPPORT	GRUNDPLATTE		
14	3012157	●	●	●	●	●	●	●	●	●	●	●	APPARECCHIATURA	CONTROL BOX	BOITE DE CONTROLE	STEUERGERÄT		
15	3012158	●	●	●	●	●	●	●	●	●	●	●	ZOCCOLO	BASE	SOCLE	SOCKEL		
16	3003770	●	●	●	●	●	●	●	●	●	●	●	INTERRUTTORE	SWITCH	INTERRUPTEUR	SCHALTER		
17	3003957	●	●	●	●	●	●	●	●	●	●	●	SUPPORTO	SUPPORT	SUPPORT	HALTER		
18	3012155	●	●	●	●	●	●	●	●	●	●	●	FILTRO ANTIDISTURBO	DEGLITCHER	FILTRE	ENTSTÖRER		
19	3003962	●	●	●	●	●	●	●	●	●	●	●	VETRINO	VIEWING PORT	REGARD	SCHAUGLAS		
20	3003963	●	●	●	●	●	●	●	●	●	●	●	COFANO	COVER	COFFRET	VERKLEIDUNG		
21	3003966	●	●	●	●								MOTORE	MOTOR	MOTEUR	MOTOR		
21	3003967					●	●	●	●				MOTORE	MOTOR	MOTEUR	MOTOR		
21	3003968									●	●	●	MOTORE	MOTOR	MOTEUR	MOTOR		
22	3012009	●	●	●	●	●	●	●	●	●	●	●	PIASTRA	ANCHOR PLATE	PLATINE DE BLOCAGE	ARRETIERPLATTE		
23	3012010	●	●	●	●	●	●	●	●	●	●	●	SERVOMOTORE	SERVOMOTOR	SERVOMOTEUR	STELLMOTOR		
24	3012710	●	●	●	●	●	●	●	●	●	●	●	GRUPPO ALBERO	SHAFT ASSEMBLY	GROUPE ARBRE	WELLE		
25	3012012	●	●	●	●	●	●	●	●	●	●	●	GUSCIO	HALF-SHELL	COUVERCLE	HAUBE		
26	3003481	●	●	●	●	●	●	●	●	●	●	●	VITE	SCREW	VIS	SCHRAUBE		
27	3003891	●	●	●	●	●	●	●	●	●	●	●	RACCORDO	CONNECTOR	MAMELON	NIPPEL		
28	3012013	●	●	●	●	●	●	●	●	●	●	●	PERNO	BAR	GLISSIERE	BOLZEN		
29	3012014	●	●	●	●	●	●	●	●	●	●	●	GHIERA	FERRULE	DISQUE	STELLRING		
30	3012393	●	●	●	●	●	●	●	●	●	●	●	COLLEGAMENTO ELETTRODO	H.T. LEAD	CONNEXION POUR ELECTRODE	VERBINDUNG FÜR ELEKTRODE		
31	3012015	●	●	●	●	●	●	●	●				ELETTRODO	ELECTRODE	ELECTRODE PORCELAINÉ	ELEKTRODE		
31	3012016		●	●	●		●	●					ELETTRODO	ELECTRODE	ELECTRODE PORCELAINÉ	ELEKTRODE		
31	3012017									●	●		ELETTRODO	ELECTRODE	ELECTRODE PORCELAINÉ	ELEKTRODE		
31	3012018										●	●	ELETTRODO	ELECTRODE	ELECTRODE PORCELAINÉ	ELEKTRODE		
32	3012175	●		●	●		●						SONDA	PROBE	SONDE	FÜHLER		
32	3012178		●	●	●	●	●						SONDA	PROBE	SONDE	FÜHLER		
32	3012176									●	●		SONDA	PROBE	SONDE	FÜHLER		

N.	COD.	821 T1				822 T1				823 T1				DESCRIZIONE	DESCRIPTION	DESCRIPTION	BESCHREIBUNG	MATRICOLA BRUCIATORE BURNER SERIAL NUMBER MATRICULE BRULEUR BRENNER KENN-NUMMER
		3785020	3785021 *	3785022	3785023 *	3785220	3785221 *	3785222	3785223 *	3785420	3785421 *	3785422	3785423 *					
32	3012179									●		●	SONDA	PROBE	SONDE	FÜHLER		
33	3012023	●	●	●	●								TUBETTO	TUBE	TUYAU	RÖHRCHEN		
33	3012024					●	●	●	●				TUBETTO	TUBE	TUYAU	RÖHRCHEN		
33	3012025									●	●	●	TUBETTO	TUBE	TUYAU	RÖHRCHEN		
34	3012026	●	●	●	●								DISCO	DISC	DISQUE	SCHEIBE		
34	3012027					●	●	●	●	●	●	●	DISCO	DISC	DISQUE	SCHEIBE		
35	3012028	●	●	●	●								DISTRIBUTORE	GAS HEAD	DISTRIBUTEUR	GASVERTEILER		
35	3012029					●	●	●	●				DISTRIBUTORE	GAS HEAD	DISTRIBUTEUR	GASVERTEILER		
35	3012030									●	●	●	DISTRIBUTORE	GAS HEAD	DISTRIBUTEUR	GASVERTEILER		
36	3012031	●		●									TUBO INTERNO	INTERIOR TUBE	TUYAU INTERIEUR	INNERER ROHR		
36	3012032		●		●								TUBO INTERNO	INTERIOR TUBE	TUYAU INTERIEUR	INNERER ROHR		
36	3012033					●		●					TUBO INTERNO	INTERIOR TUBE	TUYAU INTERIEUR	INNERER ROHR		
36	3012034						●		●				TUBO INTERNO	INTERIOR TUBE	TUYAU INTERIEUR	INNERER ROHR		
36	3012035									●		●	TUBO INTERNO	INTERIOR TUBE	TUYAU INTERIEUR	INNERER ROHR		
36	3012036										●	●	TUBO INTERNO	INTERIOR TUBE	TUYAU INTERIEUR	INNERER ROHR		
37	3012193	●	●	●	●	●	●	●	●	●	●	●	SUPPORTO	SUPPORT	SUPPORT	HALTER		
38	3012038	●		●		●		●					TUBO ESTERNO	EXTERIOR TUBE	TUYAU EXTERIEUR	AUSSERER ROHR		
38	3012039		●		●			●					TUBO ESTERNO	EXTERIOR TUBE	TUYAU EXTERIEUR	AUSSERER ROHR		
38	3012040									●		●	TUBO ESTERNO	EXTERIOR TUBE	TUYAU EXTERIEUR	AUSSERER ROHR		
38	3012041										●	●	TUBO ESTERNO	EXTERIOR TUBE	TUYAU EXTERIEUR	AUSSERER ROHR		
39	3012042	●	●	●	●	●	●	●	●	●	●	●	GOMITO	ELBOW	COUDE	SCHLITTEN		
40	3012043	●	●	●	●	●	●	●	●	●	●	●	COLLEGAMENTO SONDA	PROBE LEAD	CONNEXION POUR SONDE	VERBINDUNG FÜR SONDE		
41	3007166	●	●	●	●	●	●	●	●	●	●	●	GUARNIZIONE	SEAL	RONDELLE	METALLDICHTUNG		
42	3003863	●	●	●	●	●	●	●	●	●	●	●	TAPPO	PLUG	BOUCHON A VIS	SCHRAUBSTÖPSEL		
43	3012190	●	●	●	●	●	●	●	●	●	●	●	SUPPORTO	CONTROL BOX CARRIER	SUPPORT	HALTERUNG		
44	3003406	●	●	●	●	●	●	●	●	●	●	●	PROTEZIONE	GRID	PROTECTION	SCHUTZGITTER		
45	3005482	●	●	●	●	●	●	●	●	●	●	●	GUARNIZIONE	SEAL	RONDELLE	FLANSCHDICHTUNG		
46	3006803	●	●	●	●	●	●	●	●	●	●	●	FLANGIA E GOMITO	FLANGE AND ELBOW	BRIDE ET COUDE	ANSCHLUSSFLANSCHGAS		
47	3012044	●	●	●	●	●	●	●	●	●	●	●	COLONNETTA	STUD	COLONNETTE	SCHRAUBBOLZEN		
48	3012735	●	●	●	●	●	●	●	●	●	●	●	GUARNIZIONE	SEAL	JOINT	DICHTUNG		
49	3003879	●	●	●	●	●	●	●	●	●	●	●	MOLLA	SPRING	RESSORT	FEDER		
50	3012046	●	●	●	●	●	●	●	●	●	●	●	COLONNETTA	STUD	COLONNETTE	SCHRAUBBOLZEN		
51	3012064	●	●	●	●	●	●	●	●	●	●	●	LEVA	LEVER	LEVIER	HEBEL		
52	3012048	●	●	●	●	●	●	●	●	●	●	●	BOCCA D'ASPIRAZIONE	AIR INTAKE	BOITIER D'ASPIRATION	ANSAUGÖFFNUNG		
53	3012049	●	●	●	●	●	●	●	●	●	●	●	VITE	SCREW	VIS	SCHRAUBE		
54	3003974	●	●	●	●	●	●	●	●	●	●	●	GRUPPO REGOLATORE	CONTROL DEVICE	GROUPE OBTURATION	DRUCKREGULIERUNG		
55	3003975	●	●	●	●	●	●	●					FRONTONE	FRONT PIECE	FACADE	VORDERTEIL		
55	3003976									●	●	●	FRONTONE	FRONT PIECE	FACADE	VORDERTEIL		
56	3012051	●		●									SQUADRETTA	SQUARE	EQUERRE-SUPPORT	HALTER		
56	3012052		●		●								SQUADRETTA	SQUARE	EQUERRE-SUPPORT	HALTER		
56	3003979				●		●						SQUADRETTA	SQUARE	EQUERRE-SUPPORT	HALTER		
56	3003980					●		●					SQUADRETTA	SQUARE	EQUERRE-SUPPORT	HALTER		
56	3012053									●		●	SQUADRETTA	SQUARE	EQUERRE-SUPPORT	HALTER		
56	3012054									●		●	SQUADRETTA	SQUARE	EQUERRE-SUPPORT	HALTER		

\* = Versione Testa Lunga - Long Combustion Head Version - Version Tête Longue - Langer Brennkopf Ausführung

N.	COD.	821 T1				822 T1				823 T1				DESCRIZIONE	DESCRIPTION	DESCRIPTION	BESCHREIBUNG	MATRICOLA BRUCIATORE BURNER SERIAL NUMBER MATRICULE BRULEUR BRENNER KENN-NUMMER
		3785020	3785021 *	3785022	3785023 *	3785220	3785221 *	3785222	3785223 *	3785420	3785421 *	3785422	3785423 *					
57	3003983	•	•	•	•	•	•	•	•	•	•	•	•	OTTURATORE	SHUTTER	OBTURATEUR	SCHIEBER	
57	3003984	•	•	•	•	•	•	•	•	•	•	•	•	OTTURATORE	SHUTTER	OBTURATEUR	SCHIEBER	
58	3003987	•	•	•	•	•	•	•	•	•	•	•	•	IMBUTO FIAMMA	END CONE	EMBOUT GUEULARD	FLAMMENROHR	
58	3003988	•	•	•	•	•	•	•	•	•	•	•	•	IMBUTO FIAMMA	END CONE	EMBOUT GUEULARD	FLAMMENROHR	
58	3012055	•	•	•	•	•	•	•	•	•	•	•	•	IMBUTO FIAMMA	END CONE	EMBOUT GUEULARD	FLAMMENROHR	
58	3012056	•	•	•	•	•	•	•	•	•	•	•	•	IMBUTO FIAMMA	END CONE	EMBOUT GUEULARD	FLAMMENROHR	
58	3012057	•	•	•	•	•	•	•	•	•	•	•	•	IMBUTO FIAMMA	END CONE	EMBOUT GUEULARD	FLAMMENROHR	
58	3012058	•	•	•	•	•	•	•	•	•	•	•	•	IMBUTO FIAMMA	END CONE	EMBOUT GUEULARD	FLAMMENROHR	
59	3003991	•	•	•	•	•	•	•	•	•	•	•	•	SCHERMO	FLANGE GASKET	ECRAN THERMIQUE	FLANSCHDICHTUNG	
60	3003322	•	•	•	•	•	•	•	•	•	•	•	•	RACCORDO	CONNECTOR	MAMELON	NIPPEL	
61	3012065	•	•	•	•	•	•	•	•	•	•	•	•	MANICOTTO	MANIFOLD	MANCHON	GASANSCHLUSS	
62	3012059	•	•	•	•	•	•	•	•	•	•	•	•	ALBERO MANICOTTO	BUTTERFLY VALVE SHAFT	AXE DE LA VANNE PAPILLON	SPINDEL GASDROSSEL	
63	3003875	•	•	•	•	•	•	•	•	•	•	•	•	QUADRANTE	GRADUATE SECTOR	SECTEUR GRADUE	SKALENSEGMENT	
64	3012060	•	•	•	•	•	•	•	•	•	•	•	•	TIRANTE	TIE ROD	TIRANT	GESTÄNGE	
65	3006098	•	•	•	•	•	•	•	•	•	•	•	•	SNODO SFERICO	PIN JOINT	CHAPE A ROTULE	KUGELGELENK	
66	3003880	•	•	•	•	•	•	•	•	•	•	•	•	PERNO	SCREW	VIS CREUSE	HOHLKERNSCHRAUBE	
67	3012061	•	•	•	•	•	•	•	•	•	•	•	•	DISTANZIALE	SPACER	ENTRETOISE	DISTANZSTÜCK	
68	3012062	•	•	•	•	•	•	•	•	•	•	•	•	CAMMA COMPLETA	CAM ASSEMBLY	CAME COMPLETE	VERBUNDREGLER	
69	3003843	•	•	•	•	•	•	•	•	•	•	•	•	PERNO	SCREW	VIS CREUSE	HOHLKERNSCHRAUBE	
70	3003841	•	•	•	•	•	•	•	•	•	•	•	•	CUSCINETTO	BEARING	ROULEMENT	LAGER	
71	3012063	•	•	•	•	•	•	•	•	•	•	•	•	INGRANAGGIO	GEAR TRAIN	ENGRENAGE	RÄDERPAAR	

\* = Versione Testa Lunga - Long Combustion Head Version - Version Tête Longue - Langer Brennkopf Ausführung







R.B.L. Bruciatori Legnago s.p.a.  
I - 37045 Legnago (Verona) - Via degli Alpini, 1  
Tel. + 442/630.111 - Fax + 442/21980