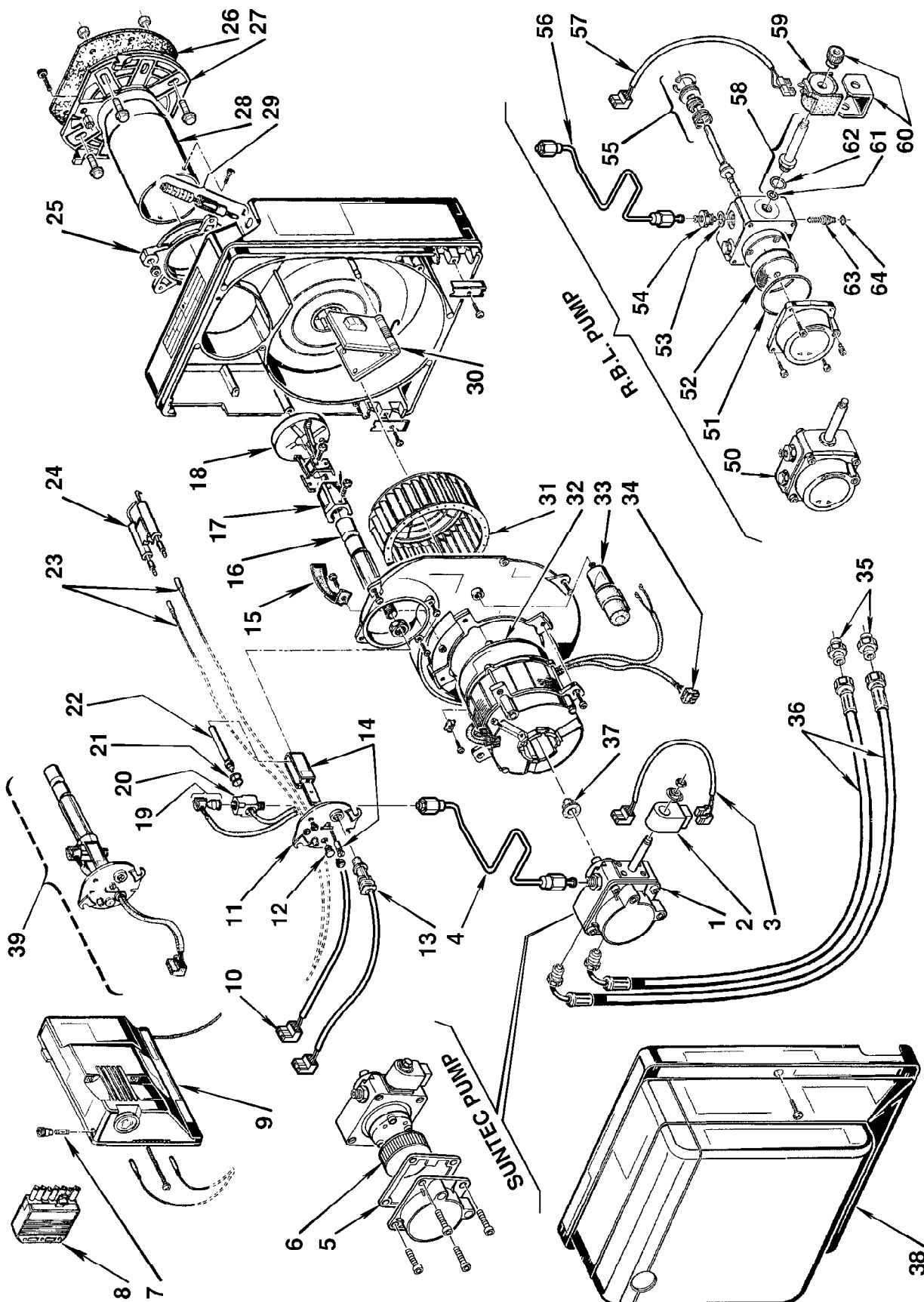


Bruciatore di gasolio • Oil burner • Brûleur fioul domestique • Öl-Gebläsebrenner
Quemador de gasóleo

Gulliver RG1RK

COD. **3736250**

TIPO / TYPE / TYP **362 T1**



N.	COD.	DESCRIZIONE	DESCRIPTION	DESCRIPTION	BESCHREIBUNG	DENOMINACIÓN	MATRICOLA BRUCIATORE BURNER SERIAL NUMBER MATRICULE BRULEUR BRENNER KENN-NUMMER MATRICULA QUEMADOR
1	3002495	POMPA SUNTEC	SUNTEC PUMP	POMPE SUNTEC	SUNTEC PUMPE	BOMBA SUNTEC	≥ 01132XXXXXX
2	3002451	BOBINA	COIL	BOBINE	MV SPULE	BOBINA	≥ 01132XXXXXX
3	3002496	COLLEGAMENTO	LEAD	CABLE DE CONNEXION	ANSCHLUßKABEL MAGNETVEN.	CABLES ELECTROVÁLVULA	≥ 01132XXXXXX
4	3002504	TUBO	TUBE	TUYAU	DRUCKROHR	TUBO	≥ 01132XXXXXX
5	3003081	GUARNIZIONE	SEAL	JOINT	DICHTUNG	JUNTA	≥ 01132XXXXXX
6	3003082	FILTRO	FILTER	FILTRE	FILTER	FILTRO	≥ 01132XXXXXX
7	3007396	FUSIBILE	FUSE	FUSIBLE	FEINSICHERUNG	FUSIBLE	
8	3006937	SPINA A 7 POLI	7 PIN PLUG	FICHE 7 POLES	7 - POLIGER STECKER	CONEC. MACHO DE 4 CONTAC.	
9	3001175	APPARECCHIATURA 553SE	CONTROL BOX 553SE	BOITE DE CONTROLE 553SE	STEUERGERÄT 553SE	CAJA DE CONTROL 553SE	
10	3007456	PRESA (Termostato/PTC)	SOCKET (Thermostat/PTC)	PRISE (Thermostat/PTC)	STECKDOSE (Vorwärm./Thermost.)	CONECTOR (Termost. PTC)	
11	3007510	COPERCHIO	COVER	COUVERCLE	DÜSENSTOCK-FLANSCH	TAPA	
12	3007458	VETRINO	VIEWING PORT	REGARD	VERSCHLUßSTOFEN	MIRILLA	
13	3007839	FOTORESISTENZA	P. E. CELL	CELLULE PHOTORESIST.	FOTOWIDERSTAND	FOTORESISTENCIA	
14	3007512	STAFFA E VITE	BRACKET AND SCREW	SUPPORT ET VIS	DÜSENSTOCKHALTERUNG	SOPOR. ARRASTRE Y TORNIL.	
15	3007475	CONVOGLIATORE	SUCTION DUCT	CONVOYEUR D'AIR	LUFTLEITBLECH	GUÍA	
16	3007467	PORTAUGELLO	NOZZLE HOLDER	PORTE GICLEUR	DÜSENSTOCK	PORTABOQUILLA	
17	3006276	SUPPORTINO	SUPPORT	SUPPORT	STAUSCHEIBENHALTERUNG	SOPORTE	
18	3007514	ELICA	DIFFUSER DISC	ACCROCHE FLAMME	STAUSCHEIBE	DISCO ESTABILIZADOR	
19	3007462	TERMOSTATO	THERMOSTAT	THERMOSTAT	VORWÄRM-THERMOSTAT	TERMOSTATO RESISTENCIA PTC	
20	3007463	RACCORDO	CONNECTOR	MAMELON	HALTERUNG VORWÄRM-THERM.	RACORD	
21	3007172	ANELLO OR	O-RING	JOINT TORIQUE	O-RING-DICHTUNG	JUNTA TÓRICA	
22	3007464	RISCALDATORE PTC	HEATER PTC	RECHAUFFEUR PTC	VORWÄRM-PTC-DÜSENSTOCK	RESISTENCIA PTC	
23	3007465	COLLEGAMENTO A.T.	HIGH VOLTAGE LEAD	CABLE HAUTE TENSION	KABEL ZÜNDELEKTRODEN	CABLES ELECTRODOS	
24	3007513	GRUPPO ELETTRODI	ELECTRODE ASSEMBLY	GROUPE ELECTRODES	ELEKTRODENBLOCK	ELECTRODOS	
25	3007515	COLLARE	COLLAR	COLLIER	BRENNERFLANSCH	COLLARÍN	
26	3005787	SCHERMO	GASKET	JOINT	KESSELFLANSCH-DICHTUNG	JUNTA AISLANTE	
27	3008636	FLANGIA	FLANGE	BRIDE	KESSELFLANSCH	BRIDA	
28	3007516	BOCCAGLIO	BLAST TUBE	GUEULARD	FLAMMROHR	TUBO LLAMA	
29	3007517	REGOLATORE SERRANDA	AIR DAMPER REGULATOR	SYSTEME REGLAGE D'AIR	LUFTKLAPPENREGLER	REGULADOR REGISTRO AIRE	≤ 01400XXXXXX
29	3008937	REGOLATORE SERRANDA	AIR DAMPER REGULATOR	SYSTEME REGLAGE D'AIR	LUFTKLAPPENREGLER	REGULADOR REGISTRO AIRE	≥ 01410XXXXXX
30	3007519	SERRANDA	AIR DAMPER	VOLET AIR	LUFTKLAPPE	REGISTRO DEL AIRE	≤ 01400XXXXXX
30	3008815	SERRANDA	AIR DAMPER	VOLET AIR	LUFTKLAPPE	REGISTRO DEL AIRE	≥ 01410XXXXXX
31	3007476	GIRANTE	FAN	VENTILATEUR	GEBLÄSERAD	TURBINA	
32	3008489	MOTORE	MOTOR	MOTEUR	MOTOR	MOTOR	
33	3007479	CONDENSATORE 4 µF	CAPACITOR 4 µF	CONDENSATEUR 4 µF	KONDENSATOR 4 µF	CONDENSADOR 4 µF	
34	3007454	PRESA MOTORE	MOTOR SOCKET	PRISE MOTEUR	STECKDOSE FÜR MOTOR	CONECTOR MOTOR	
35	3009068	RACCORDO	CONNECTOR	MAMELON	ANSCHLUßNIPPEL	RACORD	
36	3005720	TUBO FLESSIBILE	FLEXIBLE OIL LINE	FLEXIBLE	ÖLSCHLAUCH	TUBO FLEXIBLE	
37	3000443	GIUNTO	JOINT	ACCOUPLLEMENT	PUMPENKUPPLUNG	ACOPLAMIENTO	
38	3008080	COFANO	COVER	CAPOT	BRENNERHAUBE	ENVOLVENTE	
39	3007657	ASSIEME PORTAUGELLO Comprende le pos. 10-11-12 14-16-19-20-21-22.	NOZZLE HOLDER ASSEMBLY Includes pos.: 10-11-12 14-16-19-20-21-22.	PORTE GICLEUR Comprend les pos. 10-11-12 14-16-19-20-21-22.	DÜSENSTOCK Beinhaltet Pos. 10-11-12 14-16-19-20-21-22.	CONJUNTO PORTABOQUILLA Incluye las pos. : 10-11-12 14-16-19-20-21-22.	

