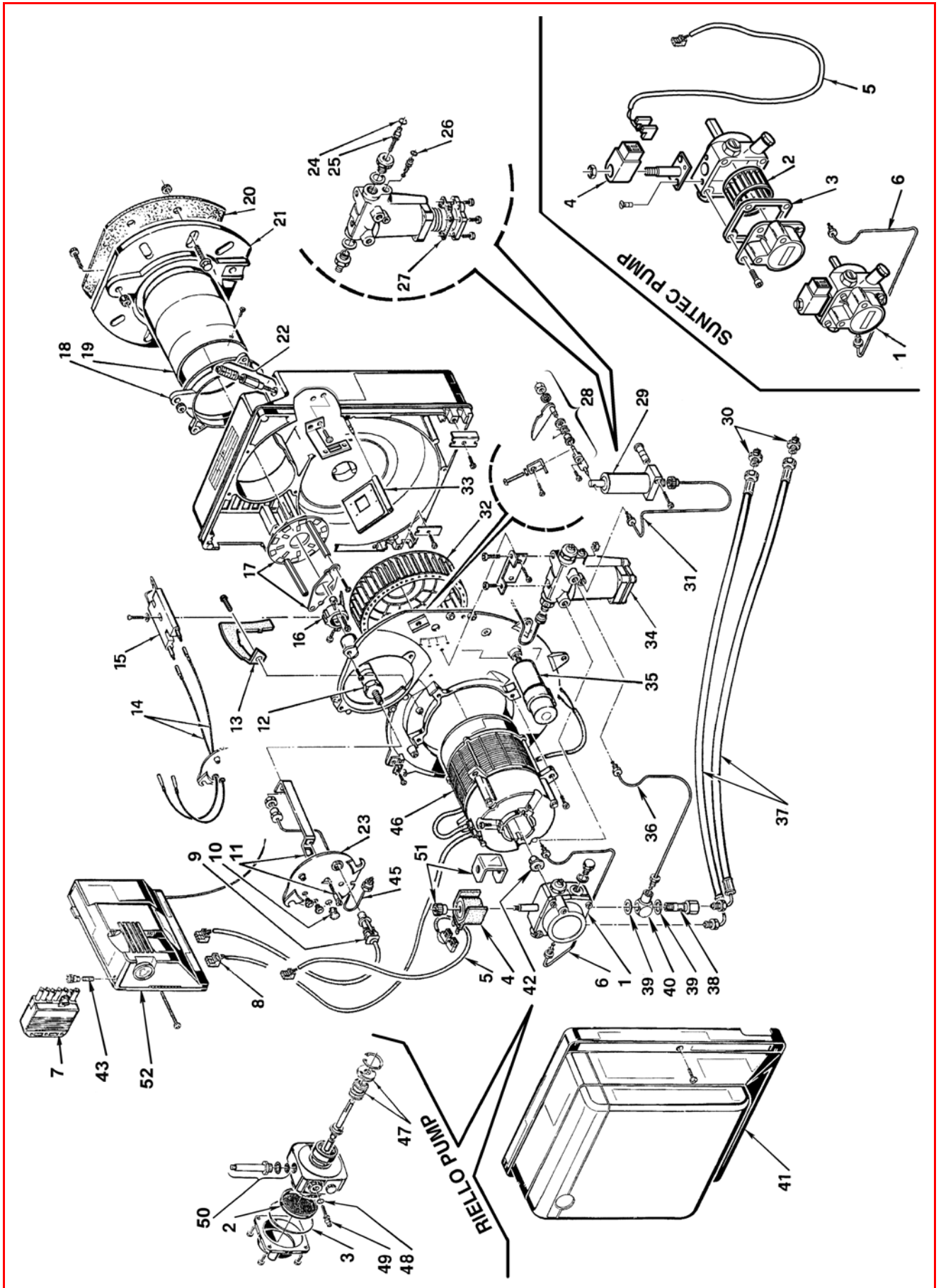


Bruciatore di gasolio • Light oil burner • Brûleur fioul domestique • Öl-Gebläsebrenner
 Quemador de gasóleo

Gulliver RG5S

COD. **3739900**

TIPO / TYPE / TYP **399T1**



N.	COD.	DESCRIZIONE	DESCRIPTION	DESCRIPTION	BESCHREIBUNG	DENOMINACIÓN	MATRICOLA BRUCIATORE BURNER SERIAL NUMBER MATRICULE BRULEUR BRENNER KENN-NUMMER MATRICULA QUEMADOR
1	3020250	POMPA	PUMP	POMPE	ÖLPUMPE	BOMBA	≥ 01406XXXXXX
1	3002449	POMPA	PUMP	POMPE	ÖLPUMPE	BOMBA	≤ 01396XXXXXX
2	3005719	FILTRO	FILTER	FILTRE	FILTREINSATZ ÖLPUMPE	FILTRO	≥ 01406XXXXXX
2	3003082	FILTRO	FILTER	FILTRE	FILTREINSATZ ÖLPUMPE	FILTRO	≤ 01396XXXXXX
3	3007162	ANELLO OR	O-RING	JOINT TORIQUE	O-RING-DICHTUNG	JUNTA TÓRICA	≥ 01406XXXXXX
3	3003081	GUARNIZIONE	SEAL	JOINT	DICHTUNG	JUNTA	≤ 01396XXXXXX
4	3007565	BOBINA	COIL	BOBINE V. M.	MAGNETVENTIL - SPULE	BOBINA	≥ 01406XXXXXX
4	3002451	BOBINA	COIL	BOBINE V. M.	MAGNETVENTIL - SPULE	BOBINA	≤ 01396XXXXXX
5	3002496	COLLEGAMENTO	LEAD	CABLE DE CONNEXION	VERBINDUNG	CABLE CONEXIÓN	
6	3007788	TUBO	TUBE	TUYAU	DRUCKROHR	TUBO	≥ 01406XXXXXX
6	3002457	TUBO	TUBE	TUYAU	DRUCKROHR	TUBO	≤ 01396XXXXXX
7	3006937	SPINA A 7 POLI	7 PIN PLUG	FICHE 7 POLES	7 - POLIGER STECKER	CONEC. MACHO DE 7 CONTAC.	
8	3007454	PRESA (motore)	SOCKET (motor)	PRISE (moteur)	STECKDOSE (motor)	CONECTOR (motor)	
9	3007839	FOTORESISTENZA	P.E. CELL	CELLULE PHOTORESIST.	FOTOWIDERSTAND	FOTORESISTENCIA	
10	3007458	VETRINO	VIEWING PORT	REGARD	VERSCHLUßSTOFEN	MIRILLA	
11	3002452	STAFFA E VITE	BRACKET AND SCREW	SUPPORT ET VIS	DÜSENSTOCKHALTERUNG	SOPORTE ARRASTRE Y TORN.	
12	3007496	PORTAUGELLO	NOZZLE HOLDER	PORTE GICLEUR	DÜSENSTOCK	PORTABOQUILLA	
13	3008552	CONVOGLIATORE	SUCTION DUCT	CONVOYEUR D'AIR	LUFTLEITBLECH	GUÍA	
14	3007879	COLLEGAMENTO A.T.	HIGH VOLTAGE LEAD	CABLE HAUTE TENSION	KABEL ZÜNDELEKTRODEN	CABLES ELECTRODOS	
15	3007495	GRUPPO ELETTRODI	ELECTRODE ASSEMBLY	GROUPE ELECTRODES	ELEKTRODENBLOCK	CONJUNTO ELECTRODOS	
16	3007466	SUPPORTO	SUPPORT	PORTE ACCROCHEUR	STAUSCHEIBENHALTERUNG	SOPORTE	
17	3002453	PARZIALIZZATORE - ELICA	SHUTTER - DIFFUSER DISC	CLAPET - ACCROCHE FLAMME	STAUSCHEIBE - JALOUSIE	ELICE PARCIALIZADORA	
18	3008617	COLLARE	COLLAR	COLLIER	BRENNERFLANSCH	COLLARÍN	
19	3002458	TUBO FIAMMA	FLAME TUBE	GUEULARD	FLAMMROHR	TUBO LLAMA	
20	3005813	SCHERMO	GASKET	JOINT ISOLANT	KESSELFANSCH-DICHTUNG	JUNTA AISLANTE	
21	3005814	FLANGIA	FLANGE	BRIDE	KESSELFANSCH	BRIDA	
22	3002455	REGOLATORE SERRANDA	AIR DAMPER REGULATOR	SYSTEME REGLAGE D'AIR	LUFTKLAPPENREGLER	REGUL. REGISTRO DEL AIRE	
23	3007642	COPERCHIO	COVER	COUVERCLE	DÜSENSTOCK-FLANSCH	TAPA	
24	3007028	ANELLO OR	O-RING	JOINT TORIQUE	O-RING-DICHTUNG	JUNTA TÓRICA	
25	3007202	REGOLATORE	REGULATOR	REGULATEUR	REGLER	REGULADOR	
26	3007156	ANELLO OR	O-RING	JOINT TORIQUE	O-RING-DICHTUNG	JUNTA TÓRICA	
27	3005801	GUARNIZIONE	SEAL	JOINT	DICHTUNG	JUNTA	
28	3002454	REGOLATORE SERRANDA	AIR DAMPER REGULATOR	SYSTEME REGLAGE D'AIR	LUFTREGULIERUNG	REGULADOR REGIST. DEL AIRE	
29	3007784	MARTINETTO	HYDRAULIC JACK	VERIN AIR	LUFTKLAPPE DRUCKKOLBEN	HIDRÁULICO DE AIRE	
30	3009068	RACCORDO	CONNECTOR	MAMELON	ANSCHLUßNIPPEL PUMPE	RACORD	
31	3007783	TUBO	TUBE	TUYAU	DRUCKROHR	TUBO	
32	3008494	GIRANTE	FAN	TURBINE	GEBLÄSERAD	TURBINA	
33	3008497	SERRANDA	AIR DAMPER	VOLET AIR	LUFTKLAPPE	REGISTRO DEL AIRE	
34	3007870	RITARDATORE IDRAULICO	HYDRAULIC DELAYNG DEVICE	RETARDATEUR HYDRAULIQUE	STARTVERZÖGERER	RETARDADOR HIDRÁULICO	
35	3008499	CONDENSATORE 8 µF	CAPACITOR 8 µF	CONDENSATEUR 8 µF	KONDENSATOR 8 µF	CONDENSADOR 8µF	
36	3007780	TUBO	TUBE	TUYAU	DRUCKROHR	TUBO	
37	3005720	TUBO FLESSIBILE	FLEXIBLE OIL LINE	FLEXIBLE	ÖLSCHLAUCH	TUBO FLEXIBLE	
38	3005804	PERNO	PIN	BOULON CREUX	HOHLKERNSCHRAUBE	PERNO	
39	3007079	GUARNIZIONE	SEAL	JOINT	DICHTUNG	JUNTA	
40	3005805	RACCORDO	CONNECTOR	MAMELON	ANSCHLUßNIPPEL	RACORD	
41	3008558	COFANO	COVER	CAPOT	BRENNERHAUBE	ENVOLVENTE	
42	3000443	GIUNTO	JOINT	ACCOUPLMENT	PUMPENKUPPLUNG	ACOPLAMIENTO	≥ 01420090289



RIELLO S.p.A.
I-37048 Legnago (VR)
Tel.: +39.0442.630111
[http:// www.riello.it](http://www.riello.it)
