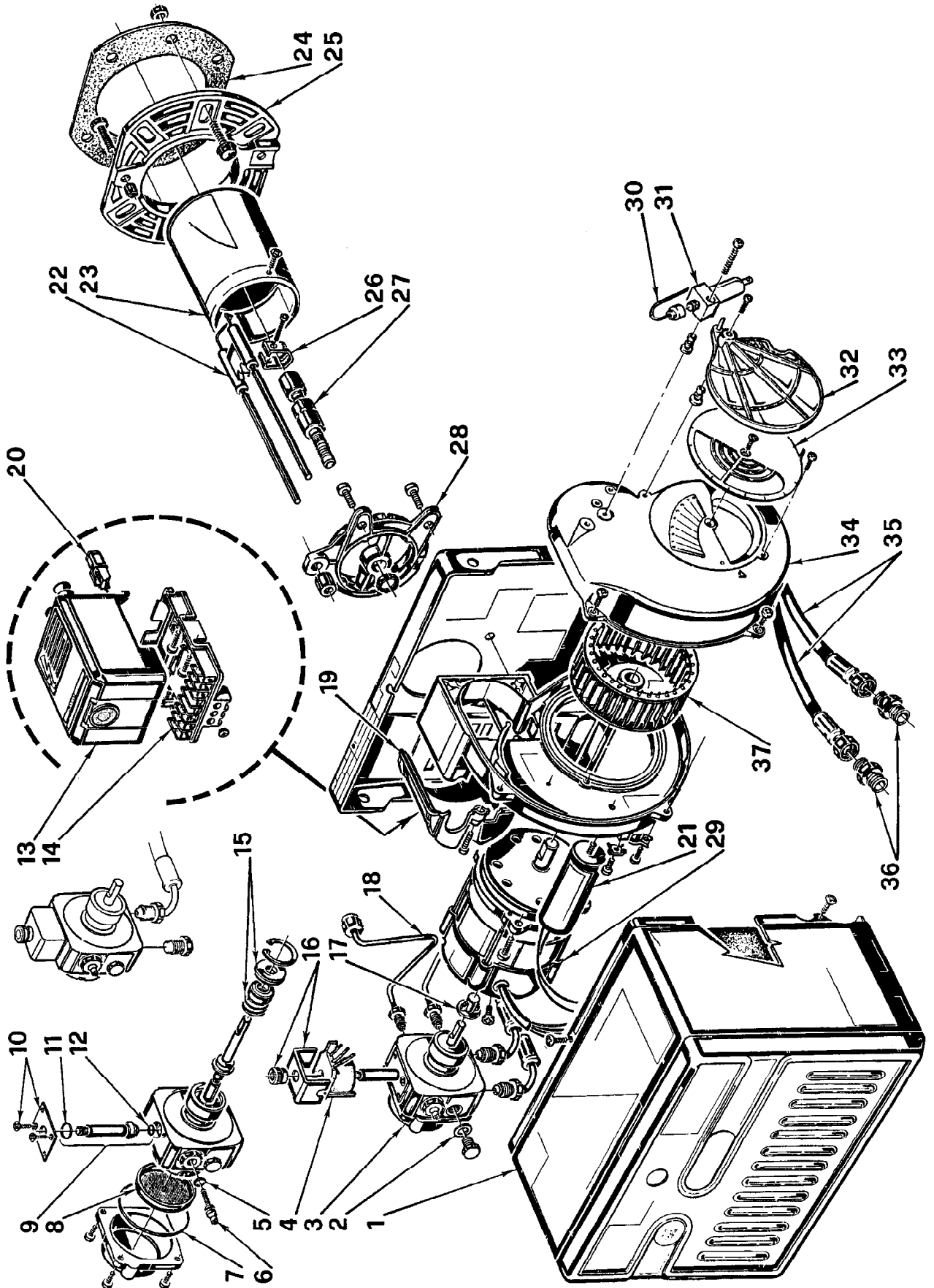


Bruciatore di gasolio • Gas oil burner • Brûleur fioul domestique • Ölbrenner • Oliebrander

RIELLO 40 G3B

COD. **3743713**

TIPO / TYPE / TYP **437 T1**



N.	COD.	DESCRIZIONE	DESCRIPTION	DESCRIPTION	BESCHREIBUNG	BENAMING	MATRICOLA BRUCIATORE BURNER SERIAL NUMBER MATRICULE BRULEUR BRENNER KENN-NUMMER REGISTRATIENR. BRANDER
1	3007232	CARENATURA	BODY	CAPOT	VERKLEIDUNG	BEDEKKING	
2	3007077	GUARNIZIONE	SEAL	JOINT	DICHTUNG	PAKKING	
3	3007800	POMPA	PUMP	POMPE	PUMPE	POMP	
4	3002279	BOBINA	COIL	BOBINE	MV SPULE	SPOEL	
5	3007028	ANELLO OR	O - RING	JOINT TORIQUE	O - RING	DICHTING O - RING	
6	3007202	REGOLATORE	REGULATOR	REGULATEUR	REGLER	REGELAAR	
7	3007162	ANELLO OR	O - RING	JOINT TORIQUE	O - RING	DICHTING O - RING	
8	3005719	FILTRO	FILTER	FILTRE	FILTER	FILTER	
9	3006925	VALVOLA	NEEDLE VALVE	VANNE	NADELVENTIL	VENTIEL	
10	3007203	PIASTRINA	PLATE	PLAQUETTE ETRIER	PLATTE	BEUGELPLAATJE	
11	3007029	ANELLO OR	O - RING	JOINT TORIQUE	O - RING	DICHTING O - RING	
12	3007156	ANELLO OR	O - RING	JOINT TORIQUE	O - RING	DICHTING O - RING	
13	3001156	APPARECCHIATURA 530SE*	CONTROL BOX 530SE*	BOITE DE CONTROLE 530SE*	STEUERGERÄT 530SE*	CONTROLEDOOS 530SE*	
14	3002278	MORSETTIERA	CONTROL BOX BASE	SOCLE	STECKSOCKEL	BASIS CONTROLEDOOS	
15	3000439	ORGANO DI TENUTA	PUMP SEAL	ORGANE D'ETANCHEITE	WELLENDICHTUNG	ASDICHTING	
16	3006553	MANTELLO E POMELLO	SHELL AND KNOB	ETRIER ET ECROU	BÜGEL UND KNOPF	BEUGEL EN MOER	
17	3000443	GIUNTO	JOINT	ACCOUPLMENT	KUPPLUNG	KOPPELING	
18	3005723	TUBO	TUBE	TUYAU	DRUCKROHR	DRUKLEIDING	
19	3006554	COPERCHIO	COVER	COUVERCLE	DECKEL	DEKSEL	
20	3002280	FOTORESISTENZA	P.E. CELL	CELLULE PHOTORESISTANCE	FOTOWIDERSTAND	FOTOCEL	
21	3005798	CONDENSATORE 4 µF	CAPACITOR 4 µF	CONDENSATEUR 4 µF	KONDENSATOR 4 µF	CONDENSATOR 4 µF	
22	3005721	GRUPPO ELETTRIODI	ELECTRODE ASSEMBLY	GROUPE ELECTRODES	ELEKTRODESYSYSTEM	ELECTRODENGROEP	
23	3006001	TESTA A BICCHIERE	CUP-SHAPED HEAD	TETE A EMBOITEMENT	MUFFENKOPF	GLASVORMIGE KOP	
24	3005787	SCHERMO	GASKET	JOINT	DICHTUNG	DICHTING	
25	3005786	FLANGIA	FLANGE	BRIDE	FLANSCH	FLENS	
26	3006552	FASCETTA	ELECTRODE BRACKET	SUPPORT ELECTRODES	ELECTRODEN HALTERUN G	ELECTRODENKLEM	
27	3005724	PORTAUGELLO	NOZZLE HOLDER	PORTE GICLEUR	DÜSENSTOCK	SPROEIERHOUDER	
28	3005760	COLLARE	COLLAR	COLLIER	INNERER FLANSCH	TEGENFLENS	
29	3008451	MOTORE	MOTOR	MOTEUR	MOTOR	MOTOR	
30	3007814	TUBO	TUBE	TUYAU	DRUCKROHR	DRUKLEIDING	
31	3006911	MARTINETTO	HYDRAULIC JACK	VERIN AIR	LUFTKLAPPE DRUCKKOLBEN	VIJZEL LUCHTREGELING	
32	3000878	SERRANDA	AIR DAMPER	VOLET AIR	LUFTKLAPPE	LUCHTKLEP	
33	3007204	SERRANDA	AIR DAMPER	VOLET AIR	LUFTKLAPPE	LUCHTKLEP	
34	3007207	BOCCA D'ASPIRAZIONE	AIR INTAKE	BOITIER D'ASPIRATION	ANSAUGÖFFNUNG	AANZUIGMOND	
35	3005720	TUBO FLESSIBILE	FLEXIBLE OIL LINE	FLEXIBLE	SCHLAUCH	FLEXIBEL	
36	3009068	RACCORDO	CONNECTOR	MAMELON	NIPPEL	NIPPEL	
37	3005708	GIRANTE	FAN	VENTILATEUR	GEBLÄSERAD	VENTILATOR	